



ALEXA

Door frames



GENERAL INFORMATION

New and super narrow – the perfect aluminium door frame for glass assemblies:

- ALEXA AT 23
single acting door frame
- ALEXA AT 23 E
corner single acting door frame
- ALEXA AT 44
single acting door frame
- ALEXA AT 50
free standing connecting door frame
- ALEXA PT 35
double acting door frame

All frame types have been tuned to fit DORMA-Glas fittings. Standard fittings for a rebate depth of 24 mm are used on the single acting door frames AT 44 and AT 50.

Standard finishes

- aluminium silver EV1 (101)
- aluminium similar satin stainless steel (113)

Note regarding customising

All ALEXA frames are produced to your given measurements. 2, 3 or 4 measurements are needed depending on system type (see technical information and order sheet).

With this, it is possible to plan all door frame types.

Door frames are prepared for on site assembly.

Please note:

Fittings have to be ordered separately.

Subject to change without notice.

CONTENT

ALEXA AT	ALEXA AT 23 Single acting door frame	4 – 7
	ALEXA AT 23 E Corner single acting door frame	8 – 11
	ALEXA AT 44 Single acting door frame	12 – 19
	ALEXA AT 50 Free standing connecting door frame	20 – 23
ALEXA PT	ALEXA PT 35 Double acting door frame	24 – 30
Accessories	MR22, MR 28 Wall connecting frame system	32 – 35

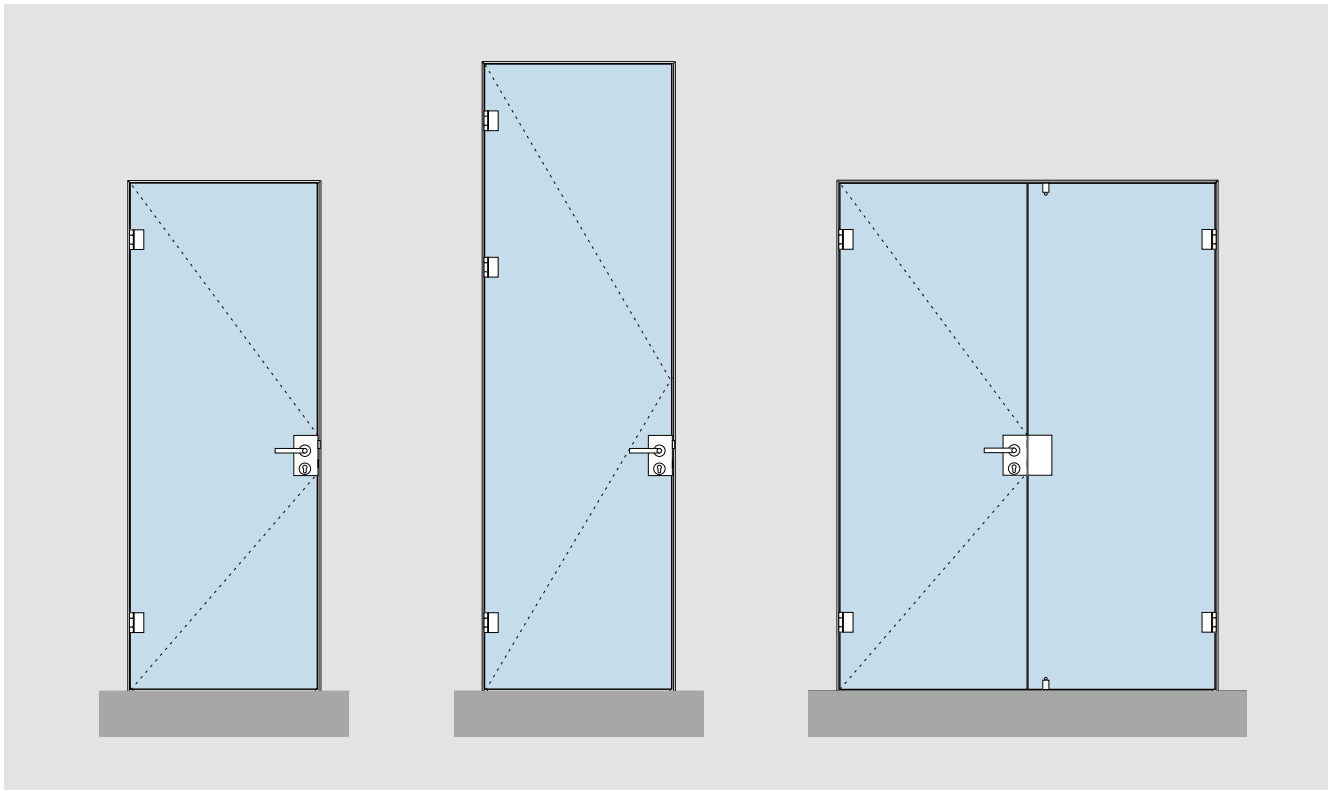


ALEXA AT 23

Single acting door frame

4 – 7

OVERVIEW DOOR VARIANTS

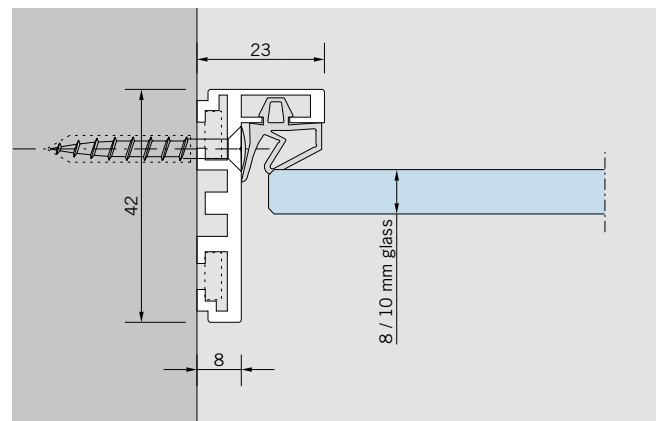
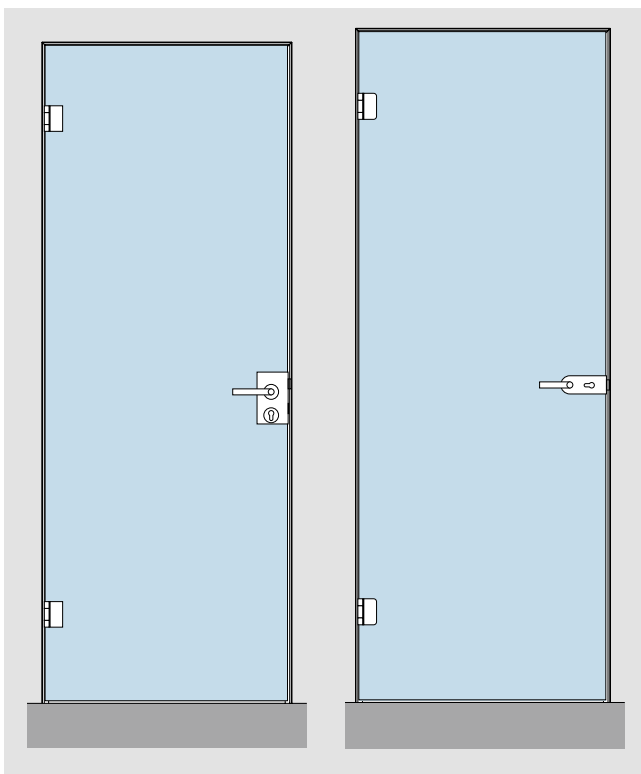


201

202

203

TECHNICAL INFORMATION



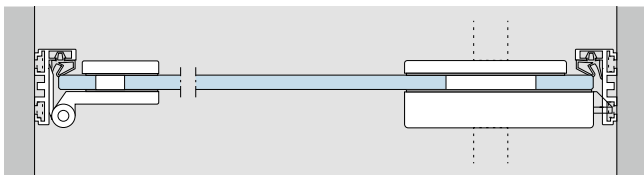
ALEXA AT 23
single acting door frame
for 8 / 10 mm glass

With concealed fixing and suitable for DORMA special hinges Art. No. 11.294, 12.050, 25.450 and locks Studio respectively Office serie as well as for DORMA MEDIO.

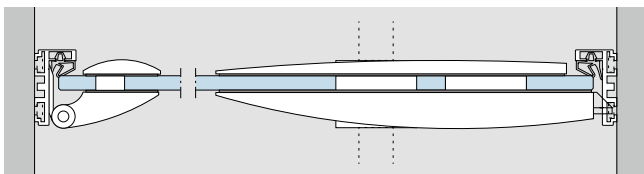
Max. door weight
– with 2 hinges = 40 kg
– with 3 hinges = 55 kg

Standard finishes
– aluminium silver EV1 (101)
– aluminium similar satin stainless steel C 31 (113)

PROFILES AND FITTING TYPES



ALEXA AT 23
with DORMA special hinge
Art. No. 11.294
resp. 12.050
Lock Junior Office /
Junior Office Classic

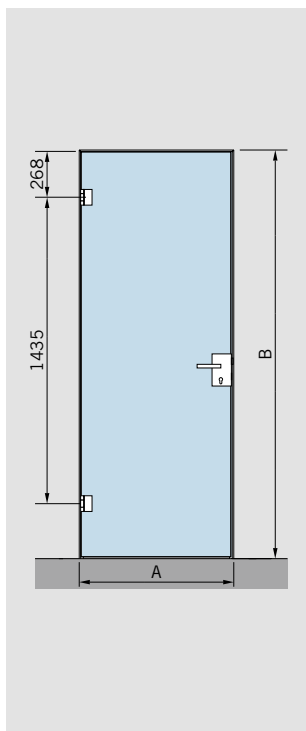
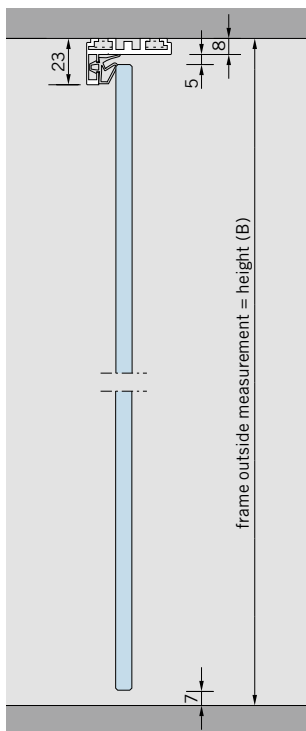


ALEXA AT 23
with DORMA special hinge
ARCOS
Art. No. 25.450

Lock ARCOS Studio

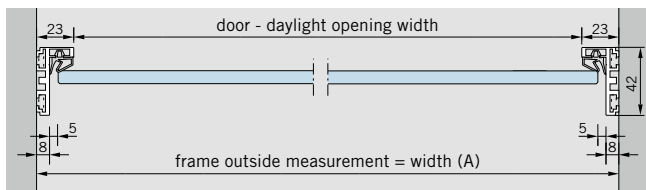
MEASUREMENTS

Sectional cut

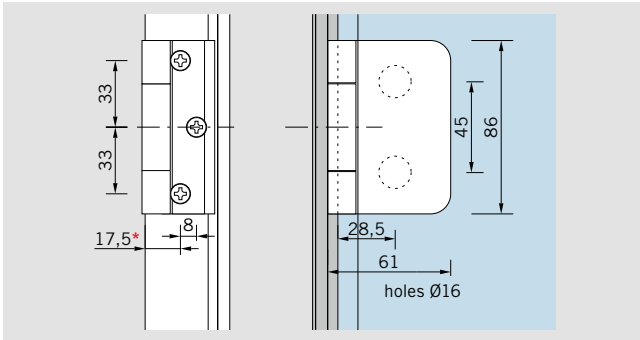


Example for measurements and set standard measurements for hinges and door levers.

Plan

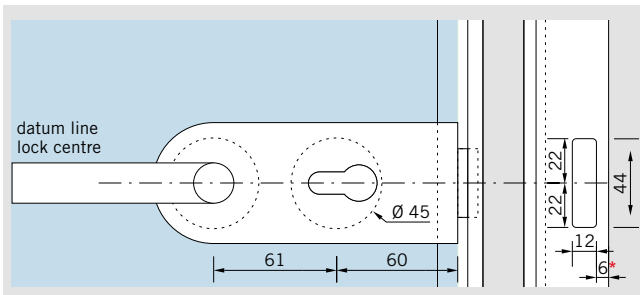


HINGES AND LOCKS



Special door hinge
Art.No. 12.050
Glass preparation

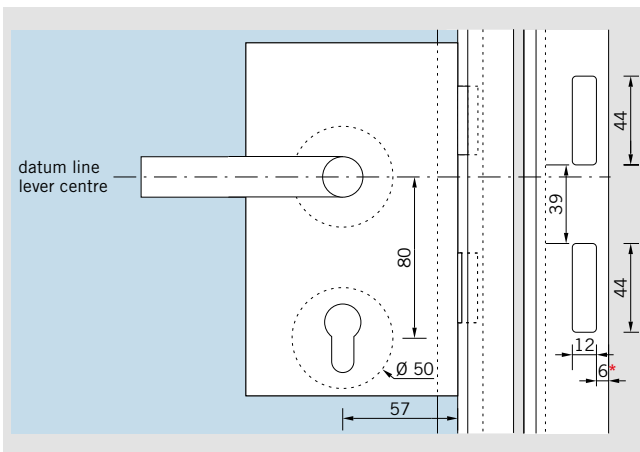
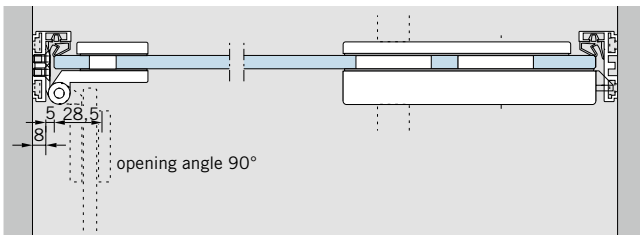
- * 17.5 for 8 mm glass
- 15.5 for 10 mm glass



View lock Studio Rondo
Milled opening for latch

- * 6 for 8 mm glass
- 4 for 10 mm glass

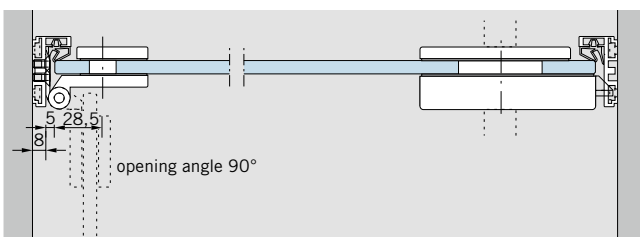
Plan



View lock Junior Office Classic
Milled opening for latch and bolt

- * 6 for 8 mm glass
- 4 for 10 mm glass

Plan



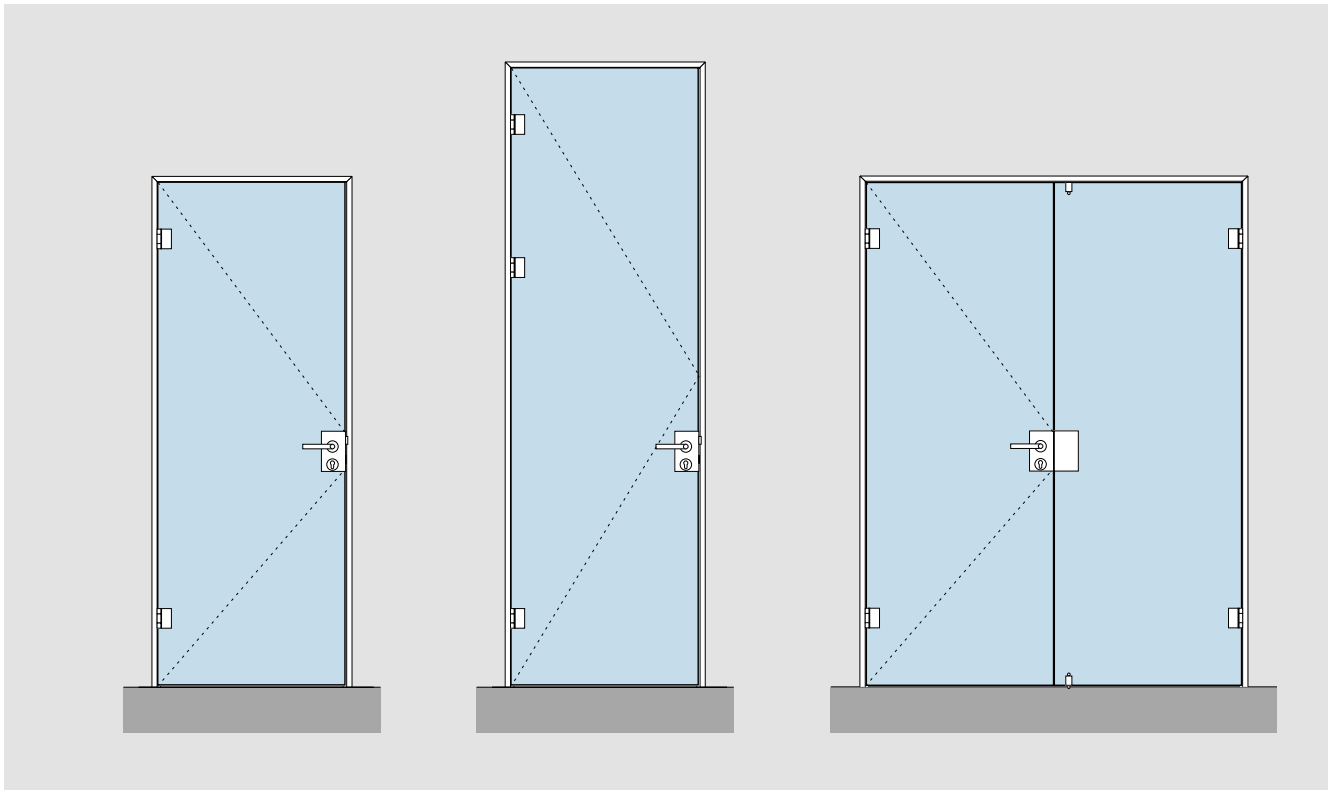
ALEXA AT 23 E

—

Corner single acting door frame

8 - 11

OVERVIEW DOOR VARIANTS

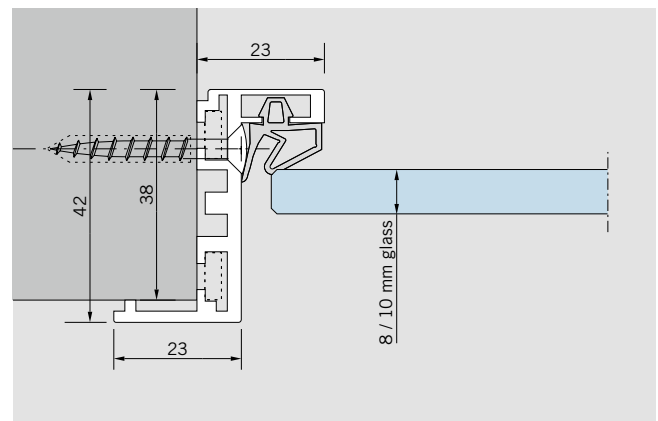
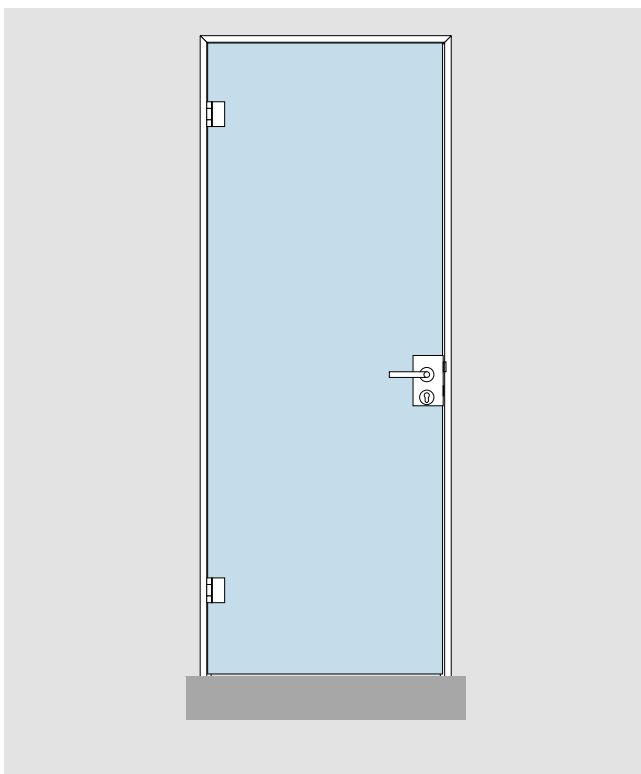


301

302

303

TECHNICAL INFORMATION



**ALEXA AT 23 E – corner
single acting door frame**
for 8 / 10 mm glass

With concealed fixing and
suitable for DORMA special
hinges Art. No. 11.294,
12.050, 25.450 and locks
Studio respectively Office serie
as well as for DORMA MEDIO.

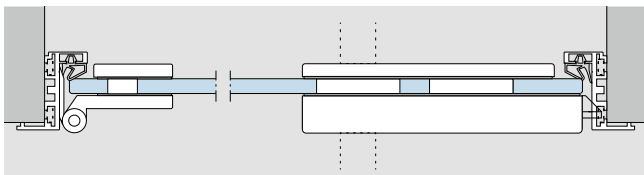
Max. door weight

- with 2 hinges = 40 kg
- with 3 hinges = 55 kg

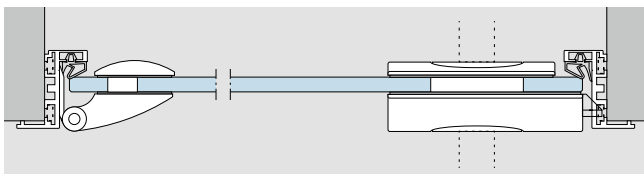
Standard finishes

- aluminium silver EV1 (101)
- aluminium similar satin
stainless steel C 31 (113)

PROFILES AND FITTING TYPES



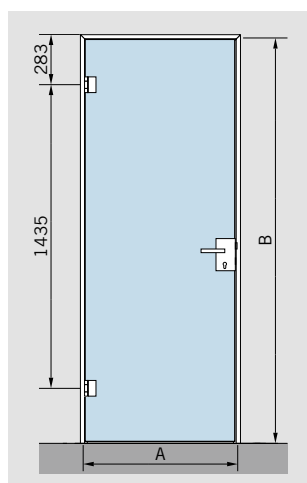
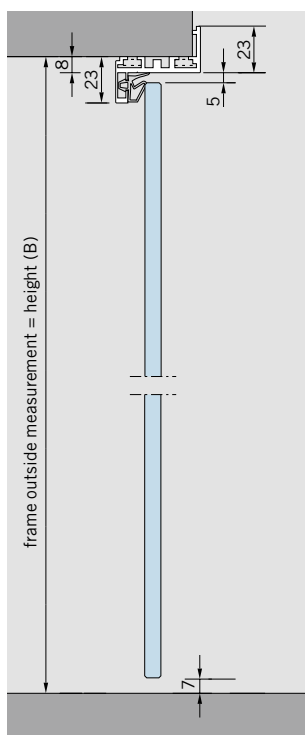
ALEXA AT 23 E
with DORMA special hinge
Art. No. 11.294
resp. 12.050
Lock Studio Rodo / Classic



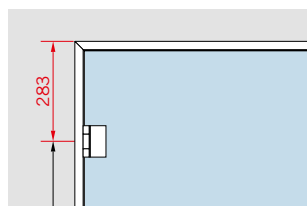
ALEXA AT 23 E
with DORMA special hinge
ARCOS
Art. No. 25.450
Lock ARCOS Office

MEASUREMENTS

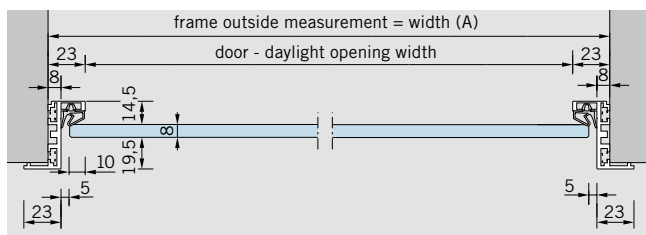
Sectional cut



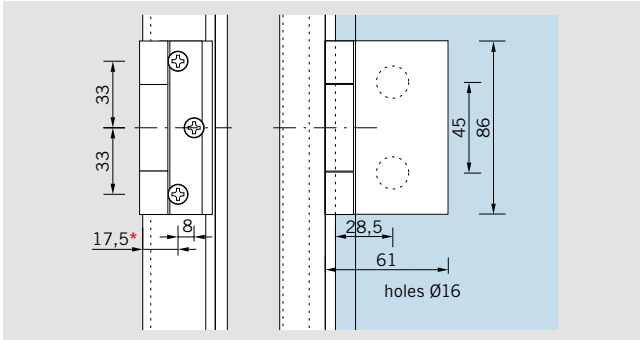
Example for measurements and set standard measurements for hinges and door levers.



Plan

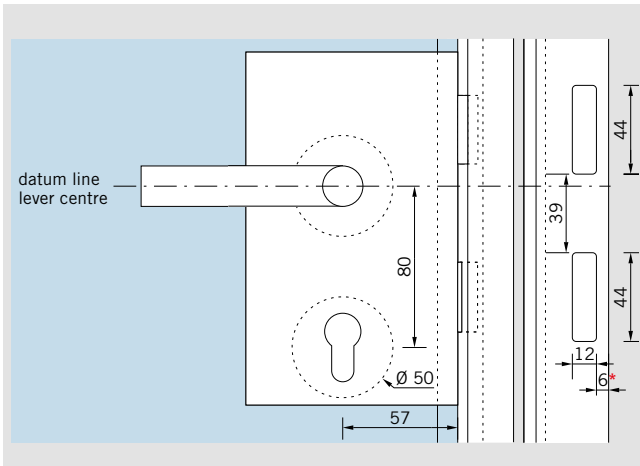


HINGES AND LOCKS



Special door hinge
Art.No. 11.294
Glass preparation

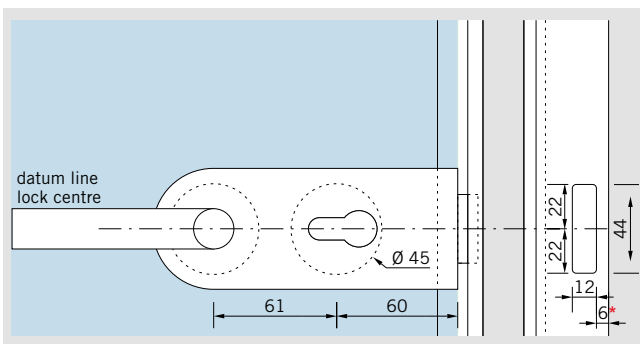
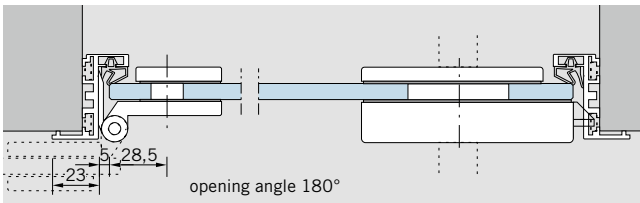
- * 17.5 for 8 mm glass
- 15.5 for 10 mm glass



View lock Junior Office Classic
Milled opening for latch and bolt

- * 6 for 8 mm glass
- 4 for 10 mm glass

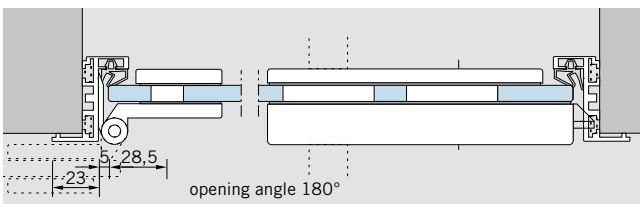
Plan



View lock Studio Rondo
Milled opening for latch

- * 6 for 8 mm glass
- 4 for 10 mm glass

Plan



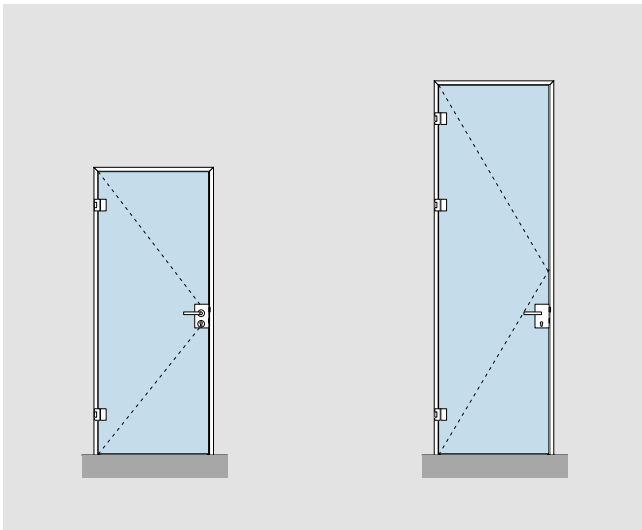
ALEXA AT 44



Single acting door frame

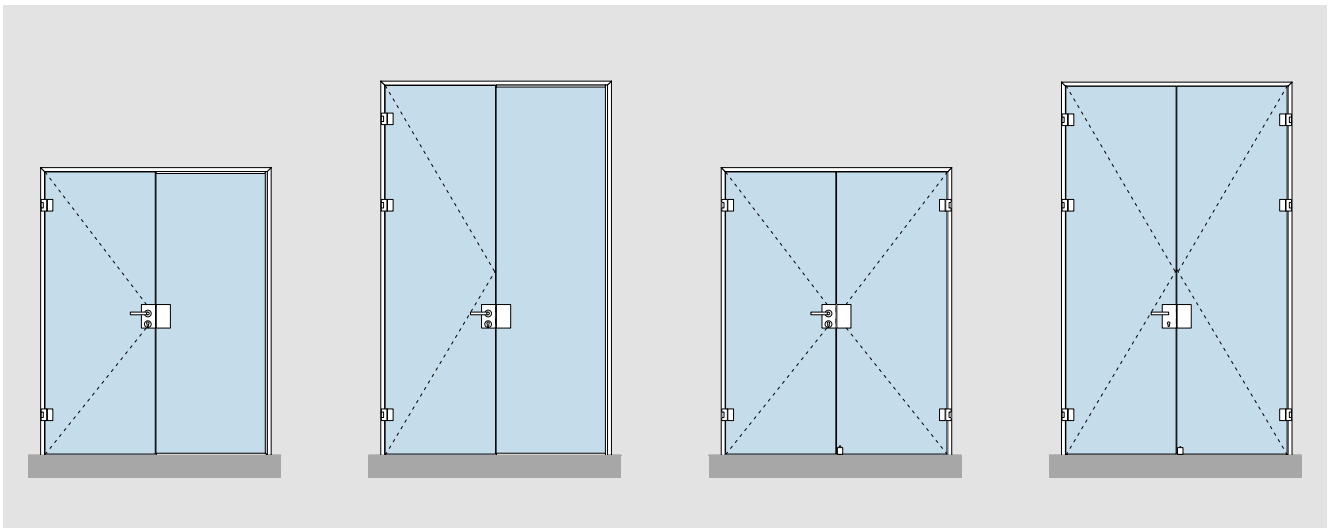
12 – 19

OVERVIEW DOOR VARIANTS



501

502

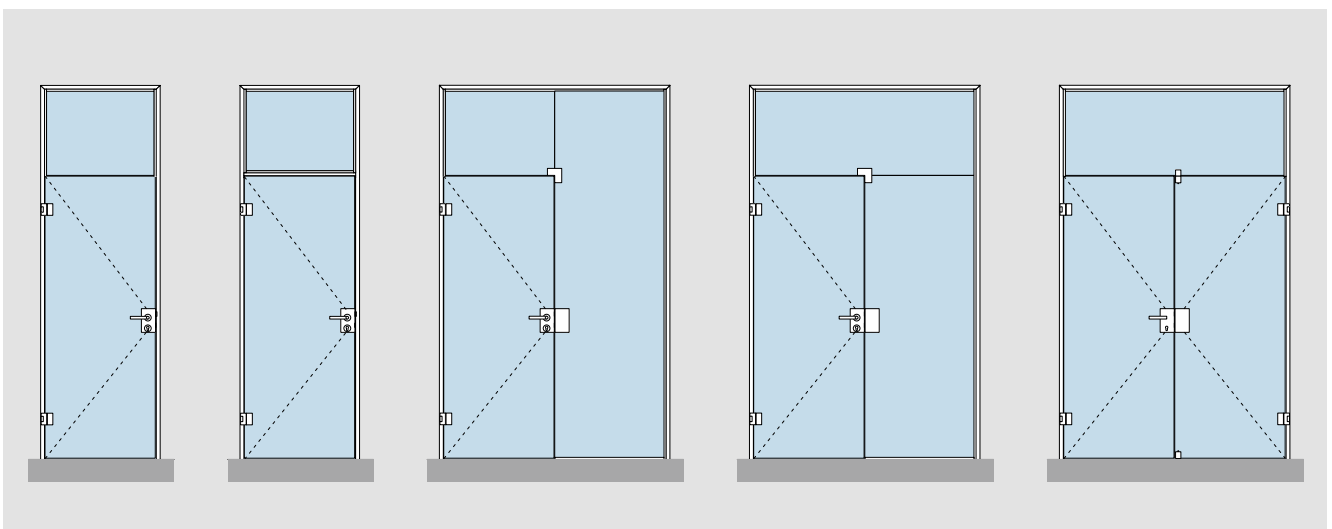


503

504

505

506



507

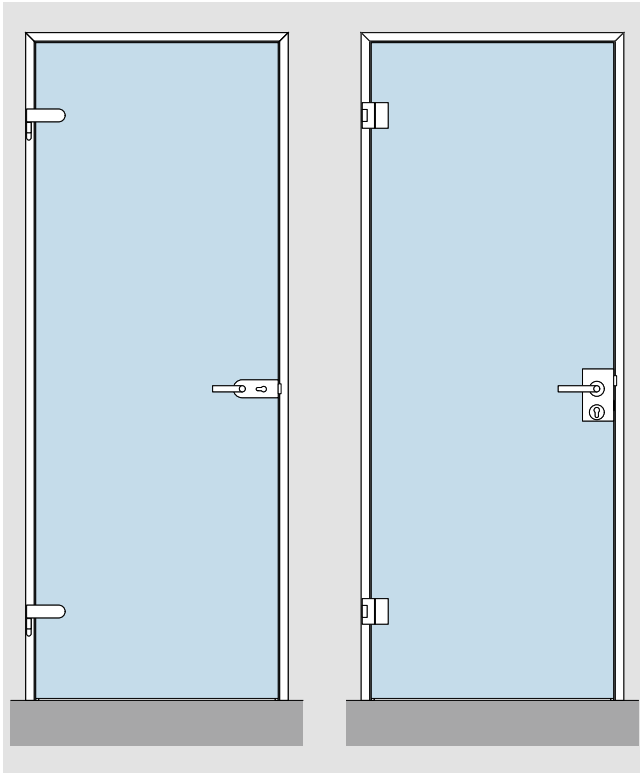
507S
(on request)

508
(on request)

509
(on request)

510

TECHNICAL INFORMATION



With Studio hinges
and Studio lock

With Junior hinges
and Junior lock

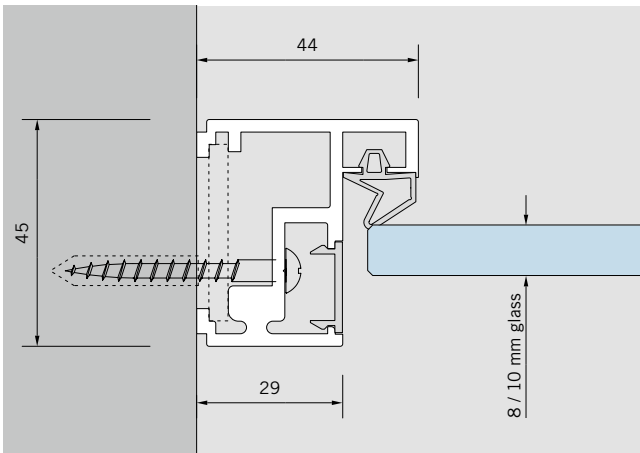
ALEXA AT 44
single acting door frame
for 8 / 10 mm glass

With concealed fixing for single
and double action door assem-
blies, with overpanel and/or
fixed sidelights.

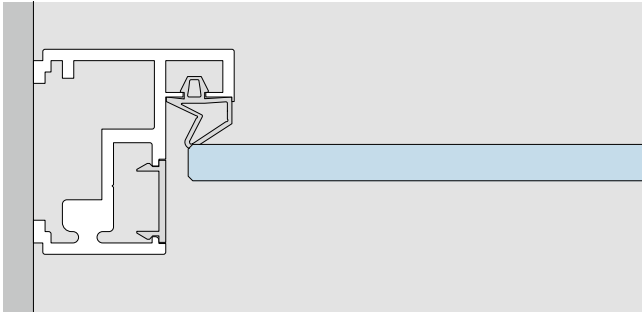
Suitable for DORMA Office
(ARCOS, Jubior, Classic), Studio
(ARCOS, Rondo, Classic, Gala)
as well as for MEDIO.

Max. door weight
45 up to 65 kg

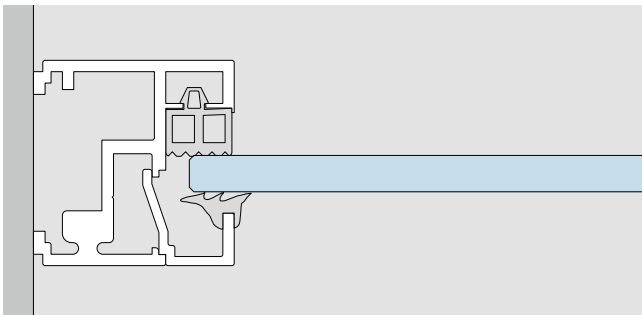
Standard finishes
– aluminium silver EV1 (101)
– aluminium similar satin
stainless steel C 31 (113)



PROFILES

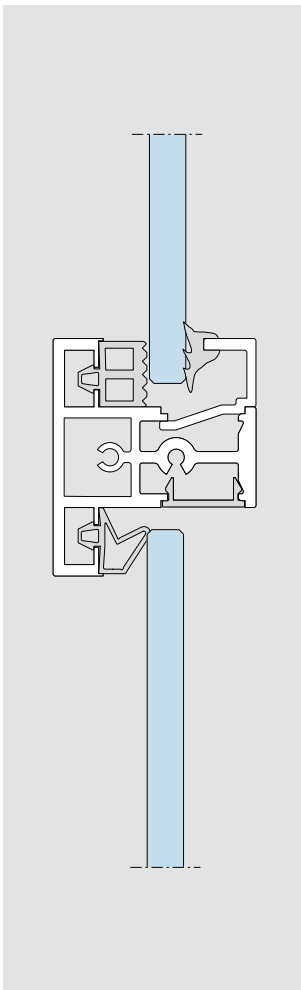


ALEXA AT 44
frame profile

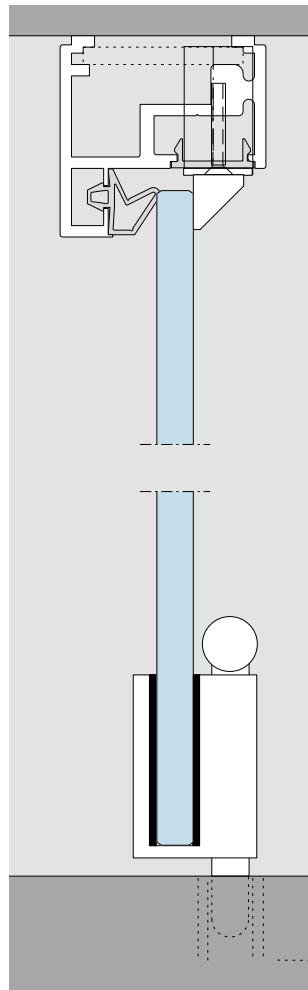


ALEXA AT 44
fixed glass

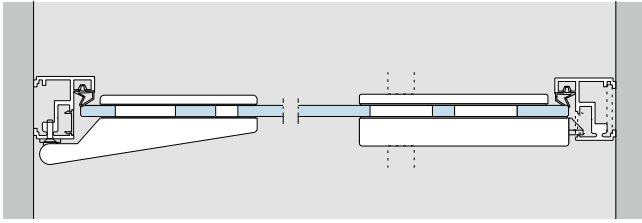
Rung profile



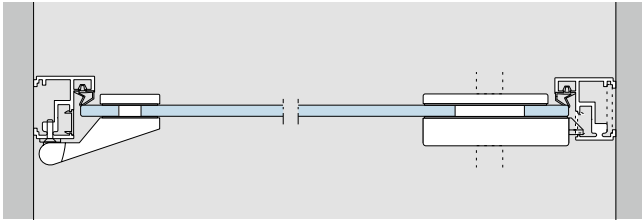
Frame profile



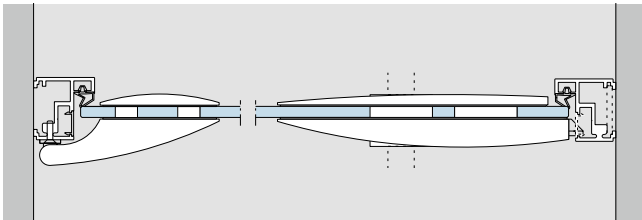
FITTING TYPES EXAMPLES



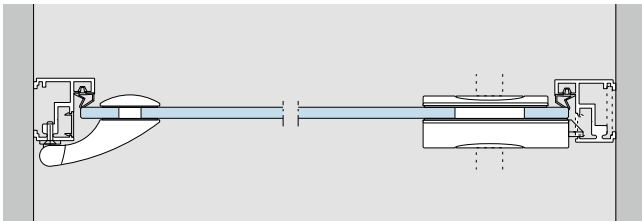
ALEXA AT 44
with DORMA Studio
(Classic, Rondo)



ALEXA AT 44
with DORMA Junior
(Office, Office Classic)



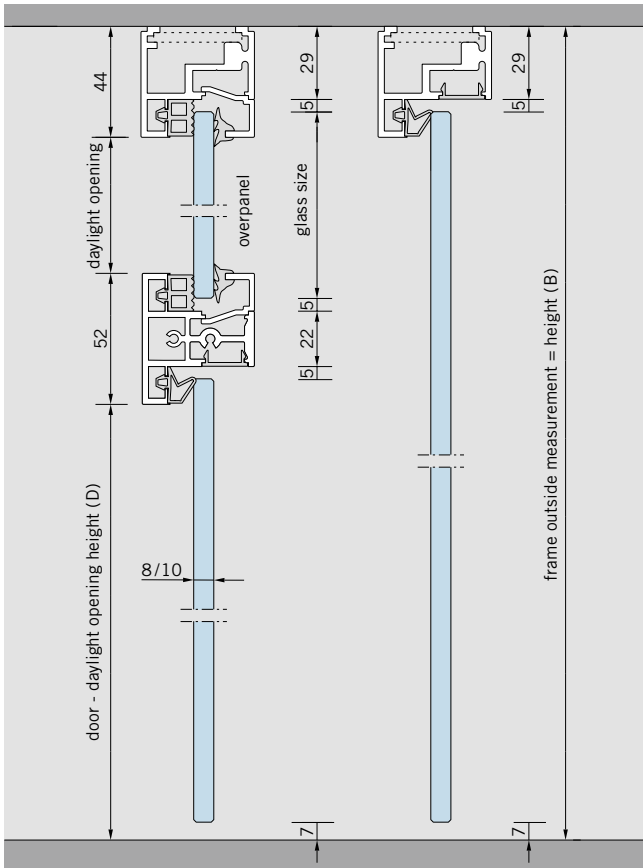
ALEXA AT 44
with DORMA ARCOS Studio



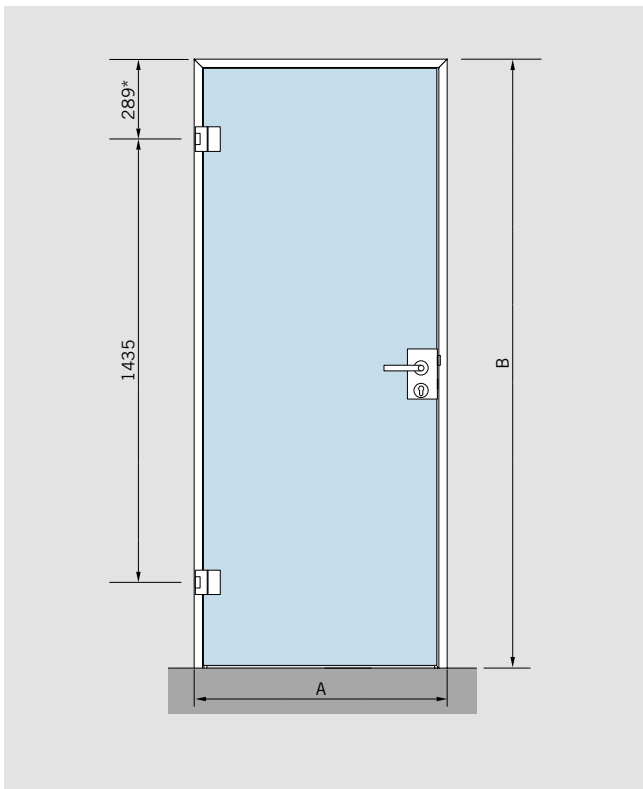
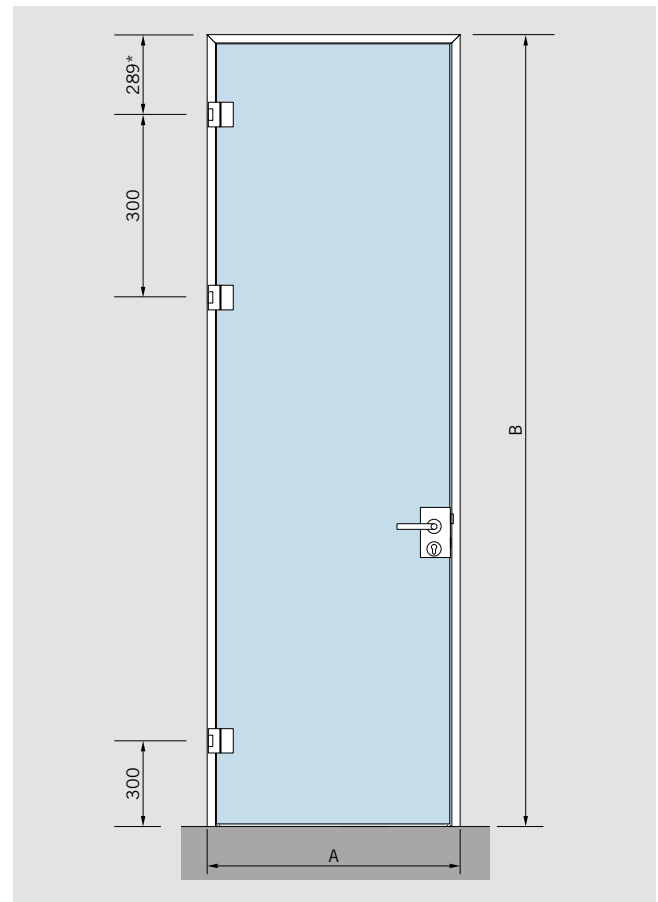
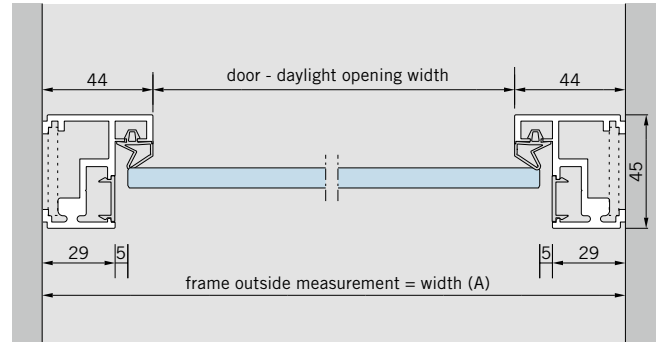
ALEXA AT 44
with ARCOS Office

MEASUREMENTS

Sectional Cut



Plan / door



* Indication for Office hinges when using Studio = 248 mm

Example for measurements and set standard measurements for hinges and door levers

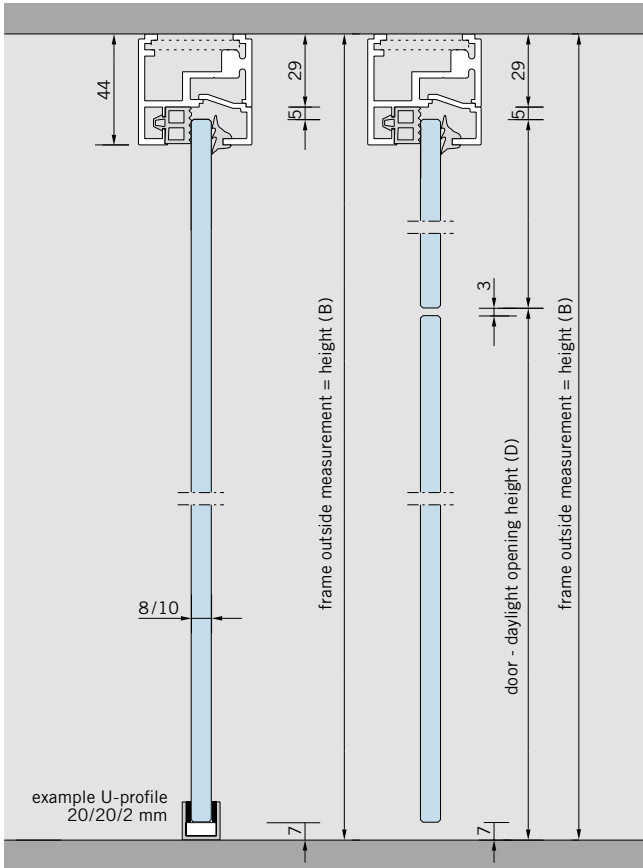
Max. door weight

- Junior types - with 2 hinges = 55 kg
- Junior types - with 3 hinges = 65 kg
- Studio types - with 2 hinges = 45 kg
- Studio types - with 3 hinges = 50 kg

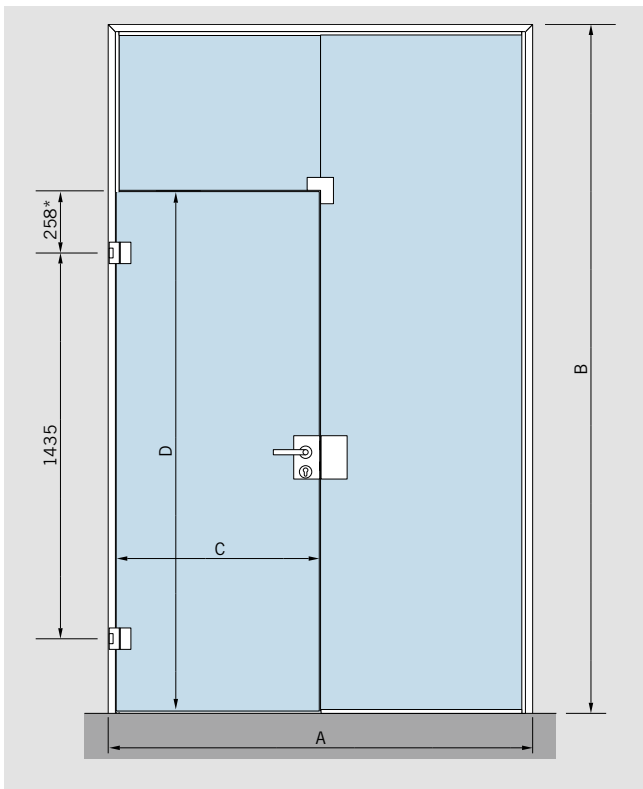
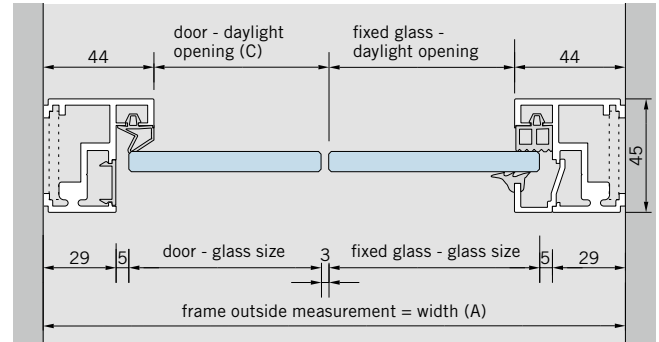
* Indication for Office hinges when using Studio = 248 mm

MEASUREMENTS

Sectional Cut



Plan / door with fixed glazing



* Indication for Office hinges when using Studio = 217 mm

Example for measurements and set standard measurements for hinges and door levers

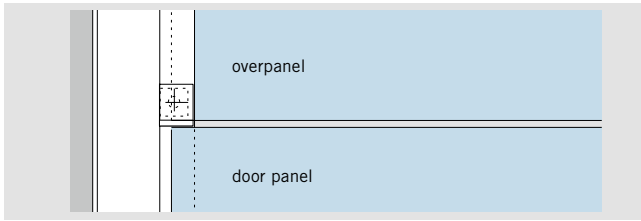
Max. door weight

- Junior types - with 2 hinges = 55 kg
- Junior types - with 3 hinges = 65 kg
- Studio types - with 2 hinges = 45 kg
- Studio types - with 3 hinges = 50 kg

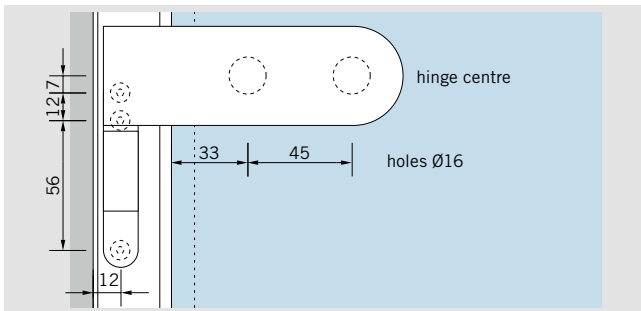
HINGES AND LOCKS

Studio Rondo with screw-on frame pivot

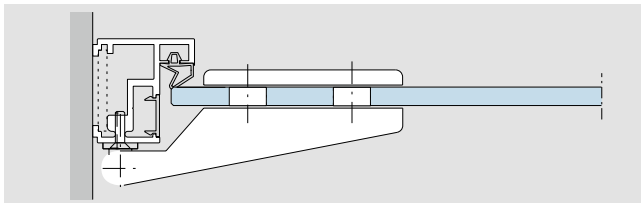
Overpanel fixing Adjustable angle bracket



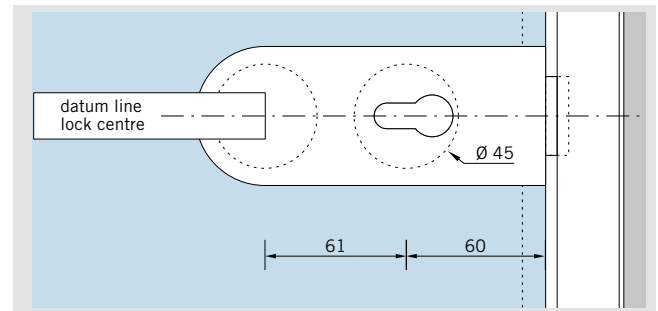
Standard hinge Studio Rondo



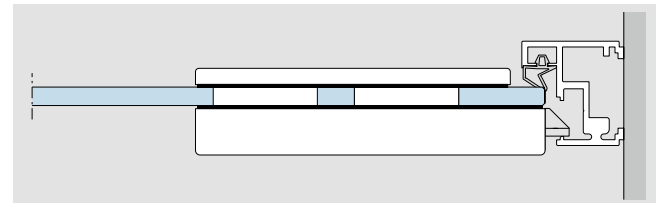
Plan / Studio Rondo with screw-on frame pivot



Lock Studio Rondo

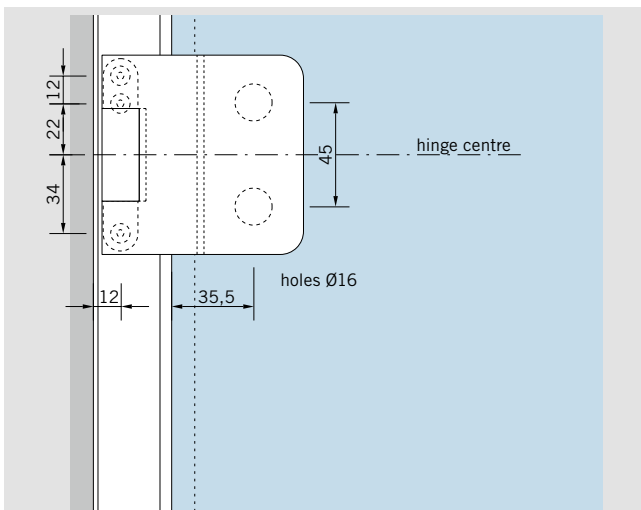


PLAN / lock

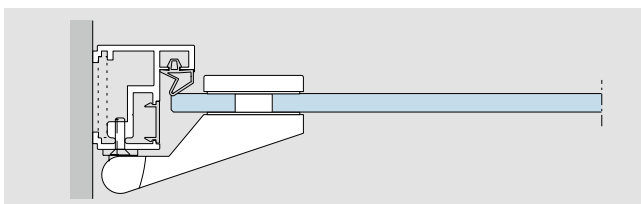


Junior Office with screw-on frame pivot

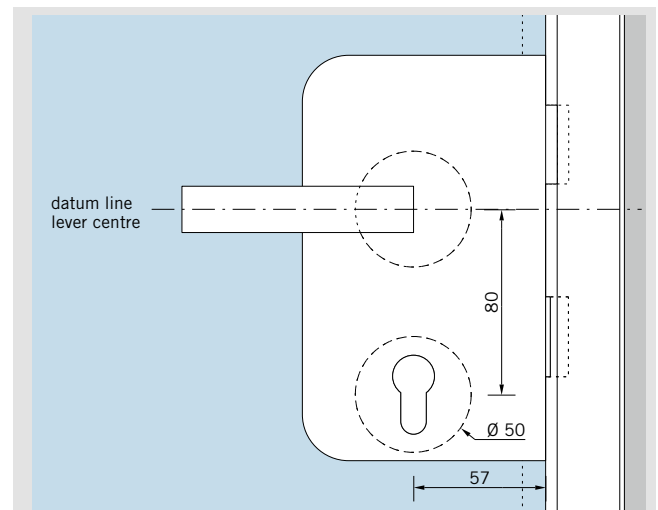
Standard hinge Junior Office



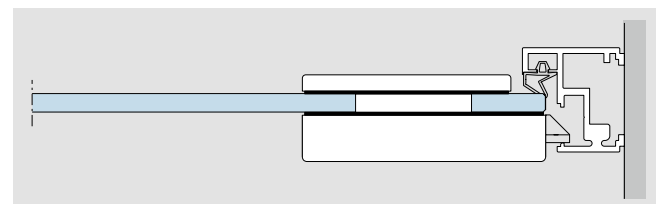
Plan / Junior Office with screw-on frame pivot



Lock Junior Office



Plan / lock





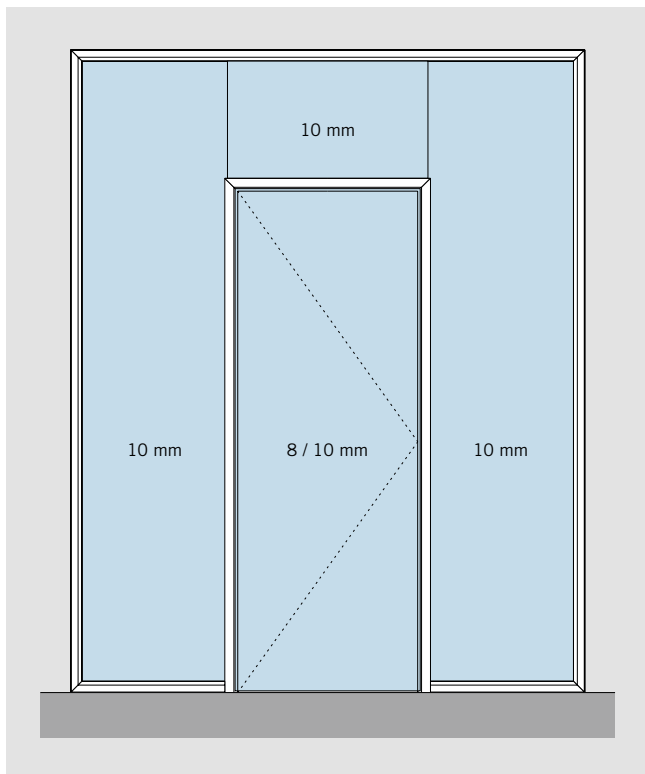
ALEXA AT 50

Free standing connecting door frame

20 – 23

TECHNICAL INFORMATION

Typ 550 free standing frame



ALEXA AT 50 – free standing connecting door frame

for combination with fixed glass sidelights and overpanels.

For 8 / 10 mm glass in the door area.

Glass sidelights and overpanels always prepared for 10 mm glass.

Suitable for DORMA Office (ARCOS, Junior, Classic), Studio (ARCOS, Rondo, Classic, Gala) as well as for MEDIO and DORMA EA.

Wall connection

Both AT 44 and MR 28 frame profiles can be used for the floor, wall and ceiling joints extending across the sidelights. Please indicate when placing an order!

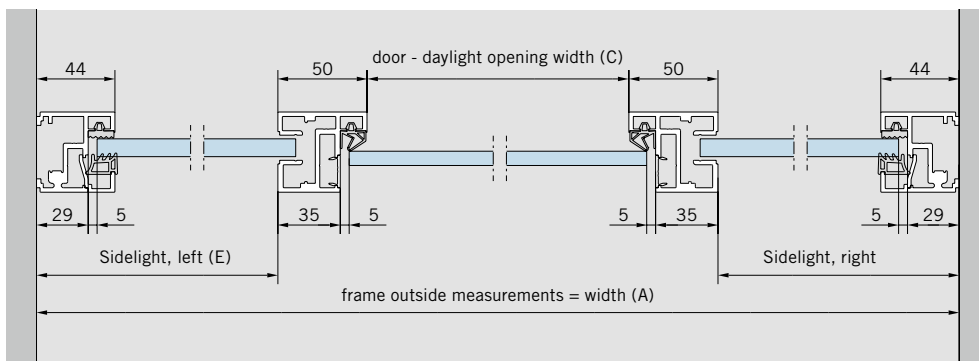
Max. door weight

45 up to 65 kg

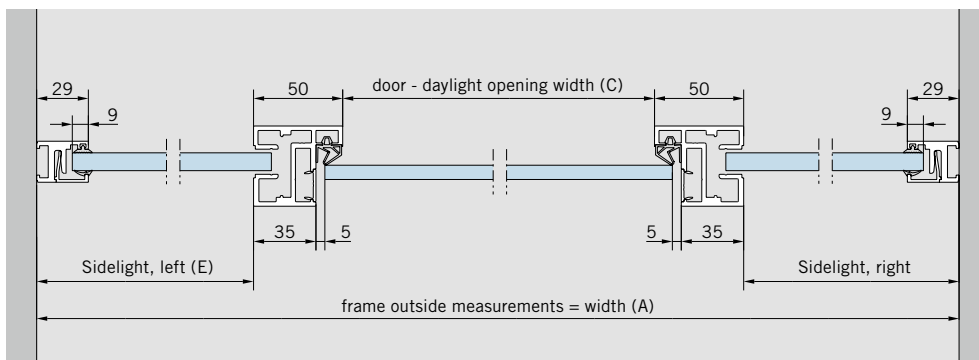
Standard finishes

- aluminium silver EV1 (101)
- aluminium similar satin stainless steel C 31 (113)

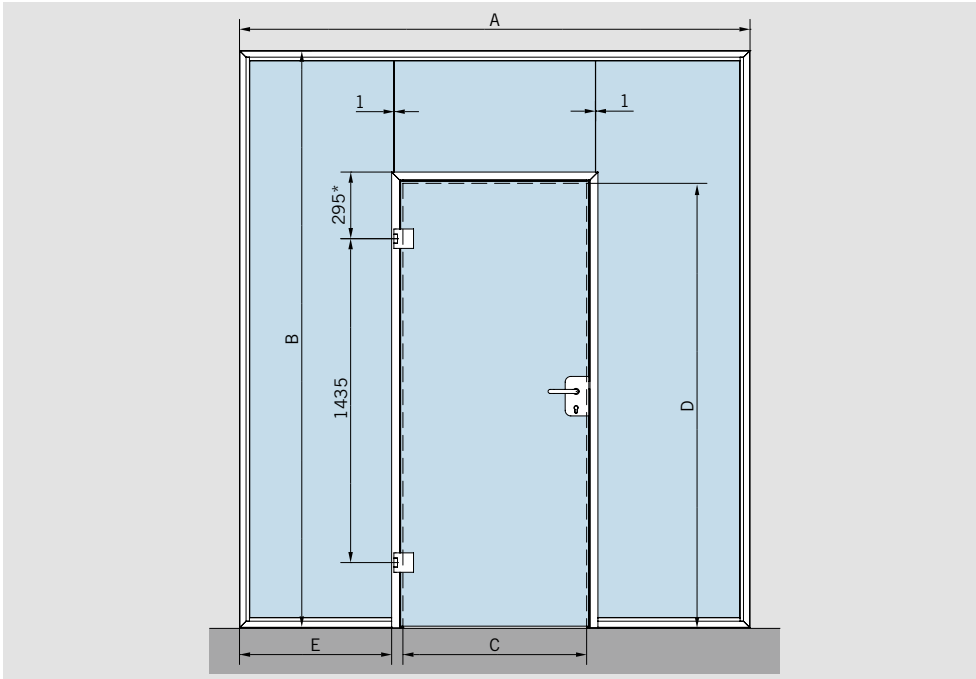
Connecting frame with AT 44



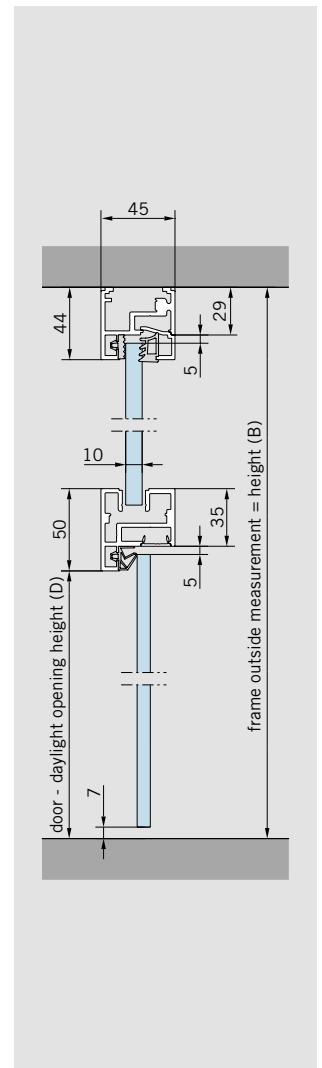
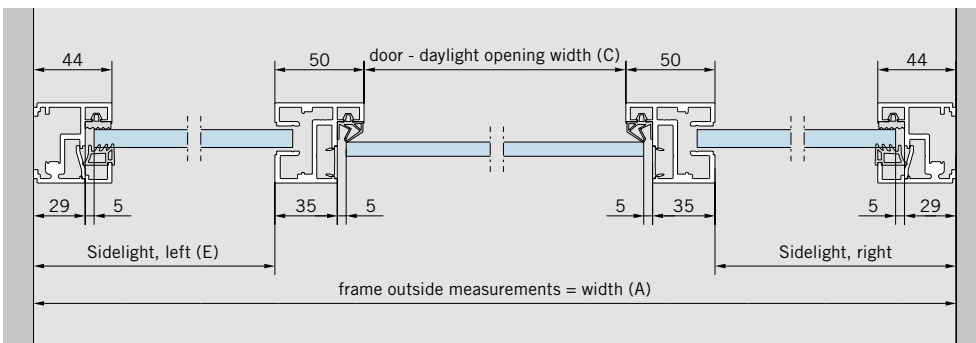
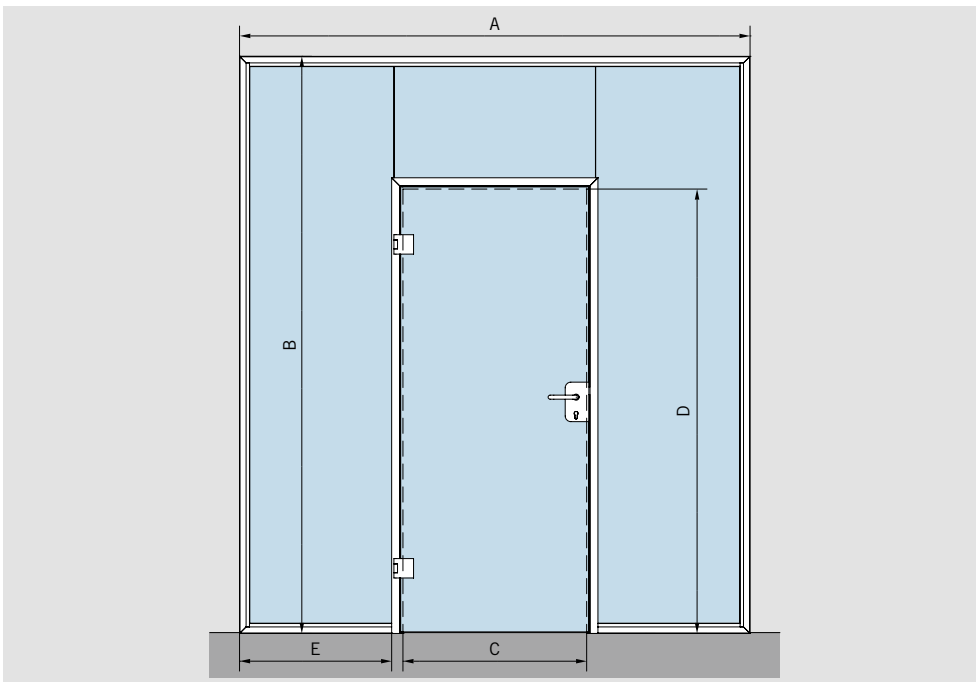
Connecting frame with MR 28



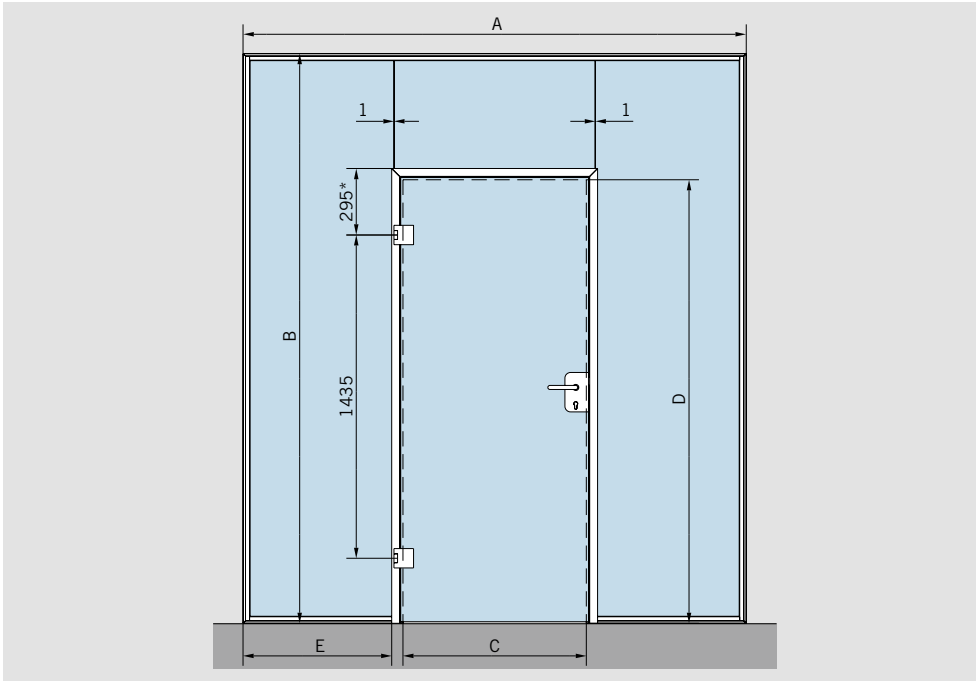
COMBINATION WITH AT 44



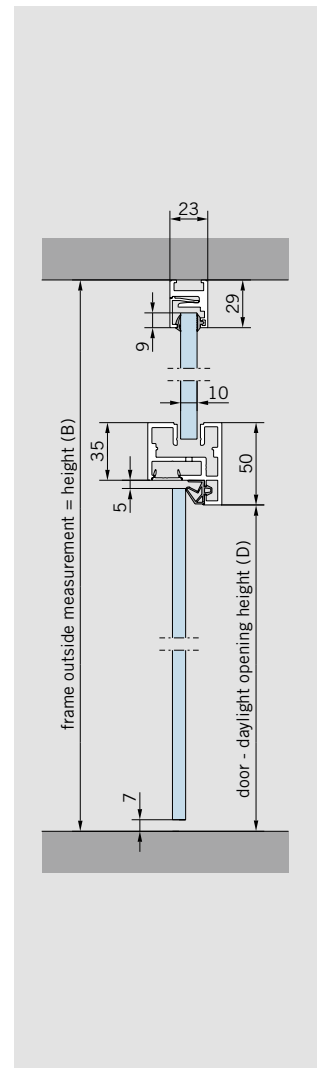
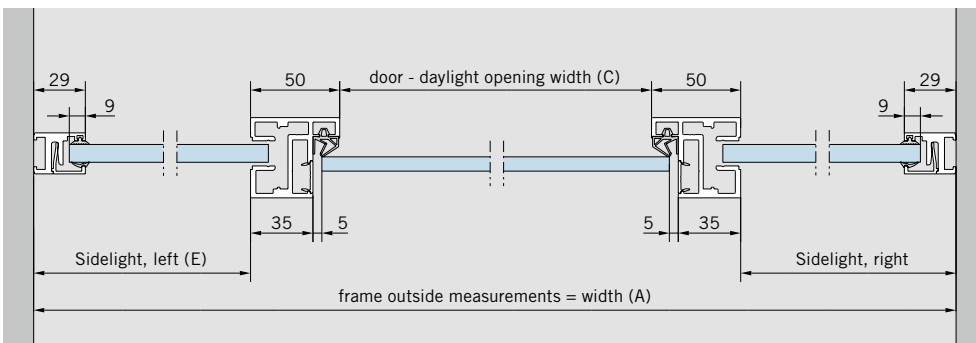
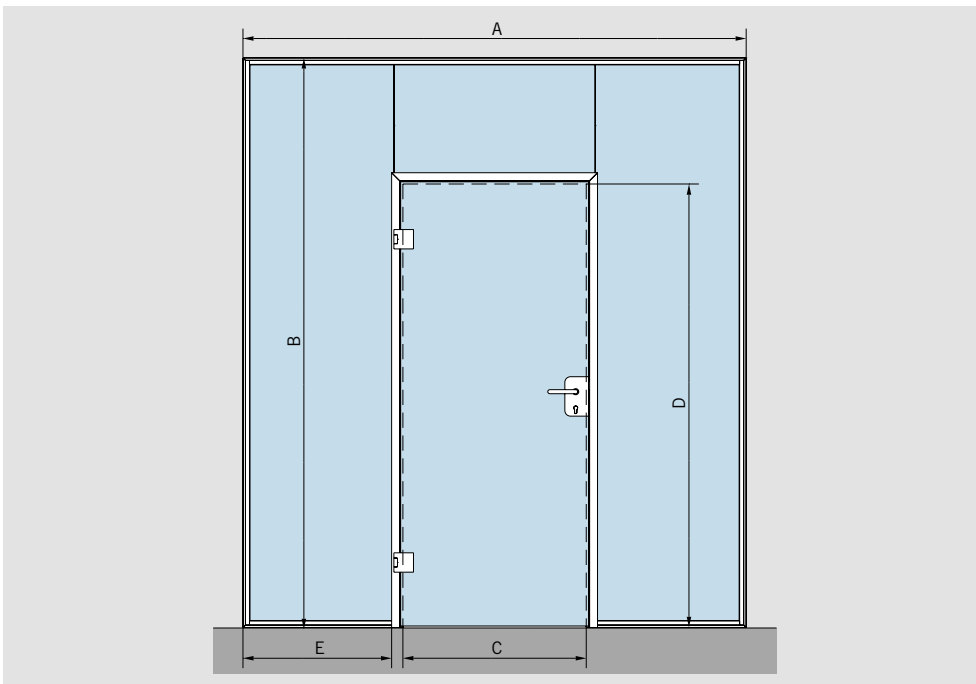
* Indication for Office hinges when using Studio = 254 mm



COMBINATION WITH MR 28



* Indication for Office hinges when using Studio = 254 mm



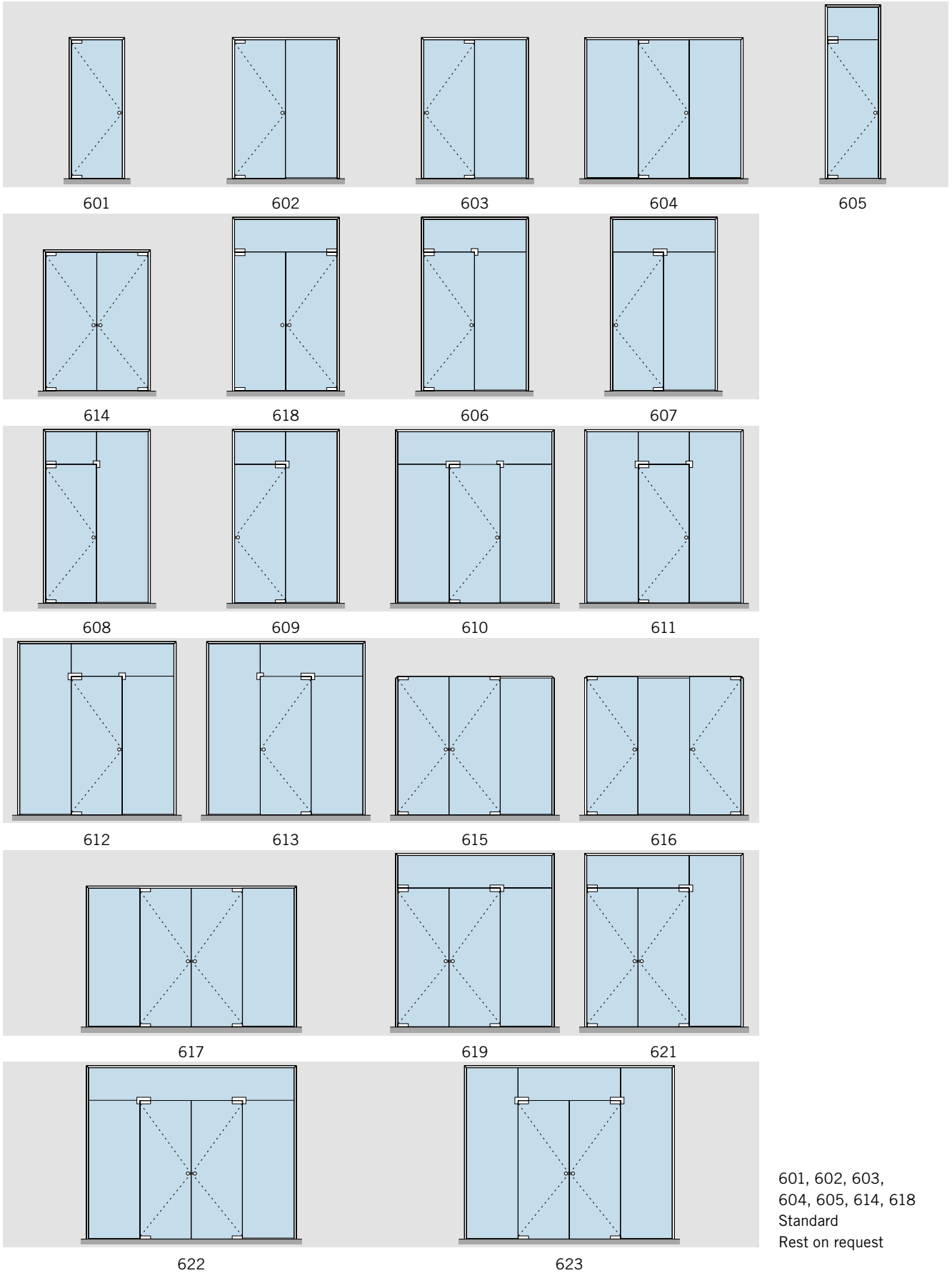


ALEXA PT 35

Double acting door frame

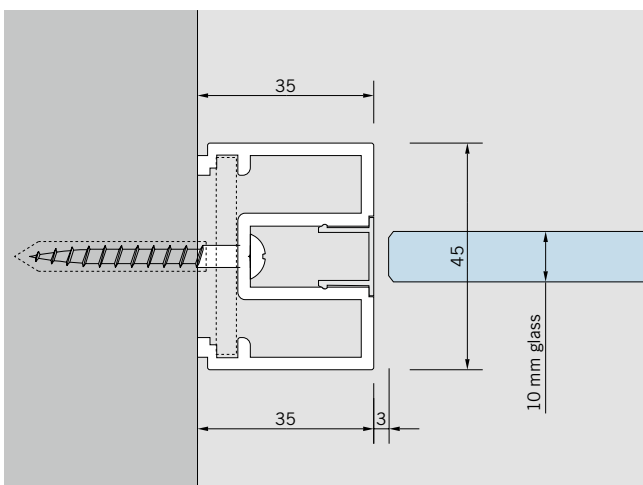
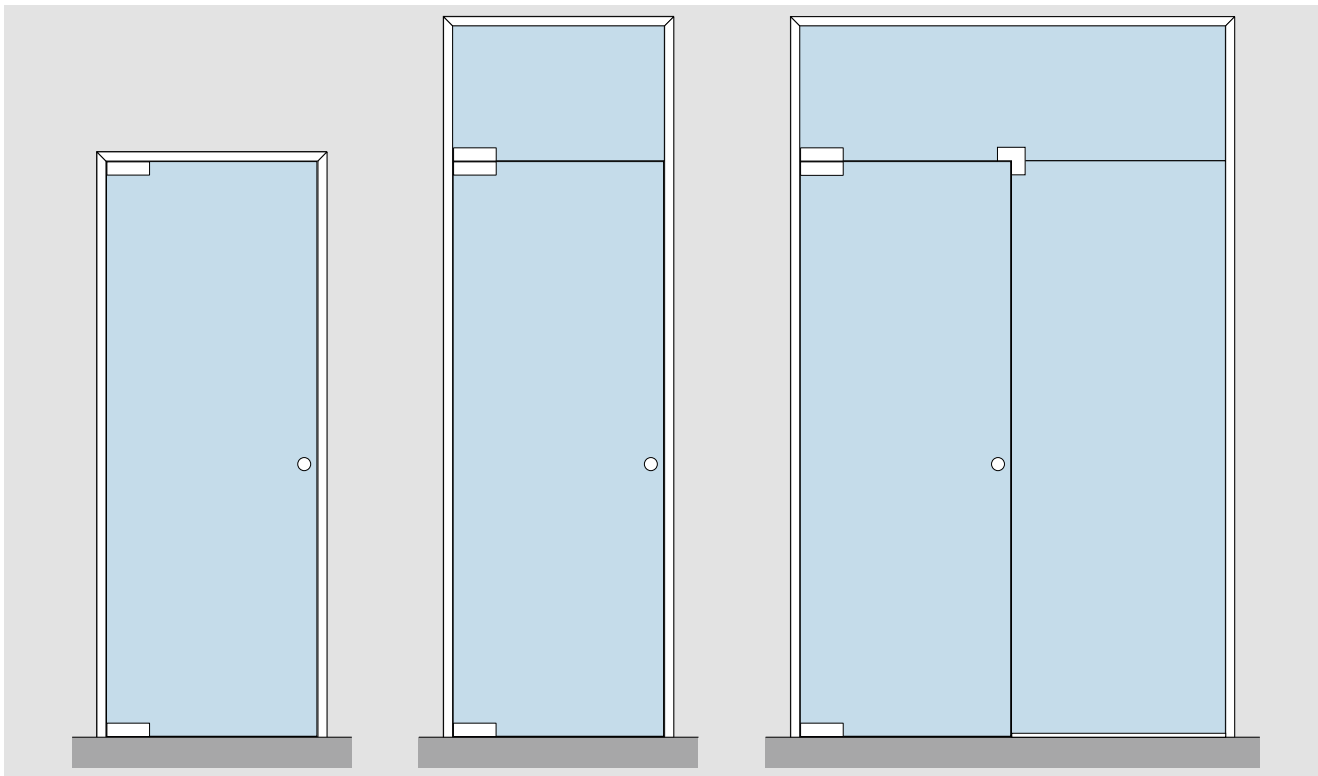
24 – 30

OVERVIEW DOOR VARIANTS



601, 602, 603,
604, 605, 614, 618
Standard
Rest on request

TECHNICAL INFORMATION



ALEXA PT 35
double acting door frame
 for 8 / 10 mm glass

With concealed fixing for single and double action door assemblies, with overpanel and/or fixed sidelights.

Suitable for DORMA Universal patch fittings, ARCOS Universal patch fittings and appropriate locks and handles.

Fixed parts will be sealed with silicon.

Max. door weight
 80 kg

Standard finishes

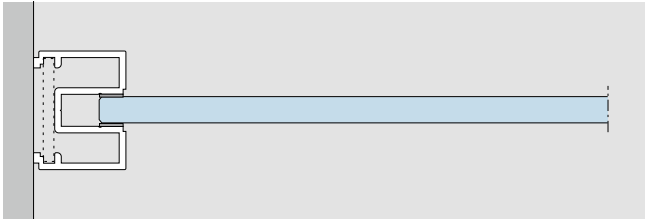
- aluminium silver EV1 (101)
- aluminium similar satin stainless steel C 31 (113)

PROFILES AND FITTING TYPES

ALEXA PT 35 frame profile with cover clip profile

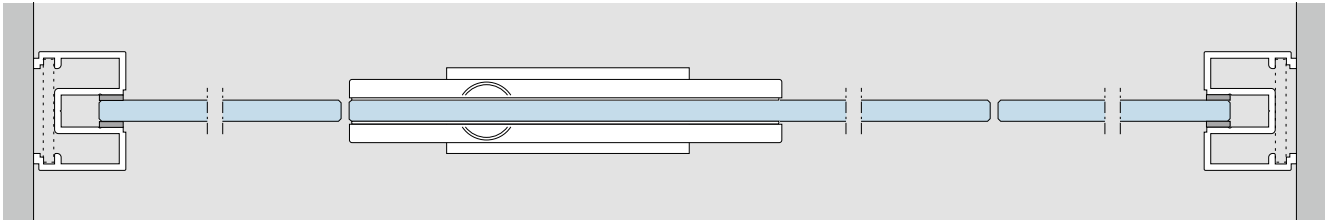


ALEXA PT 35 frame profile with glass penetration

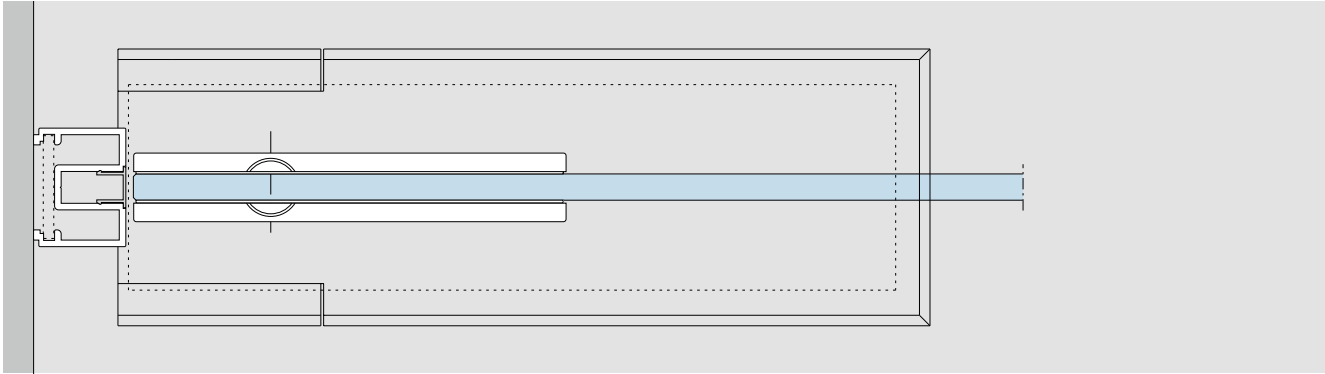


Fitting variants – examples

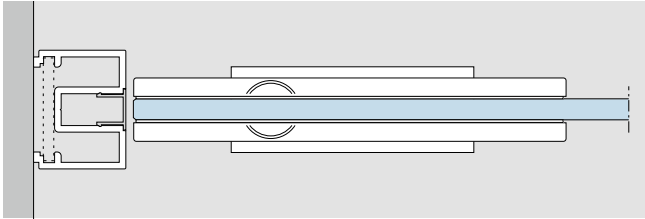
ALEXA PT 35 with DORMA Universal patch fitting, floor pivot bearing



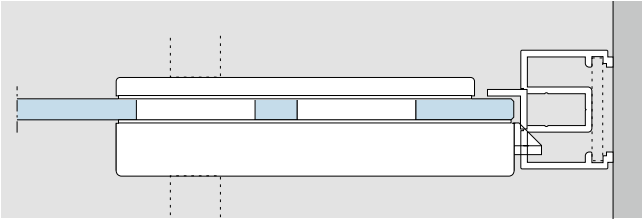
ALEXA PT 35 with DORMA Universal patch fitting, floor closer BTS 75 V



ALEXA PT 35 with DORMA Universal patch fitting, floor pivot bearing



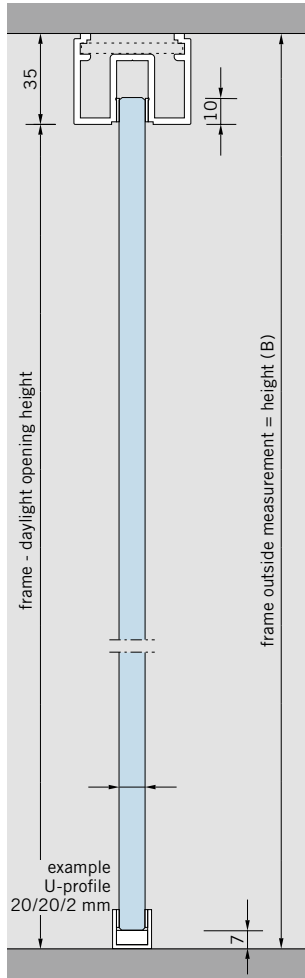
Lock, Studio Rondo/Classic



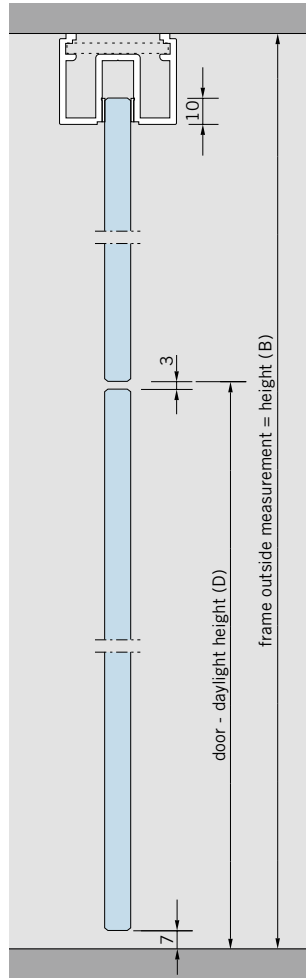
MEASUREMENTS

Sectional cut

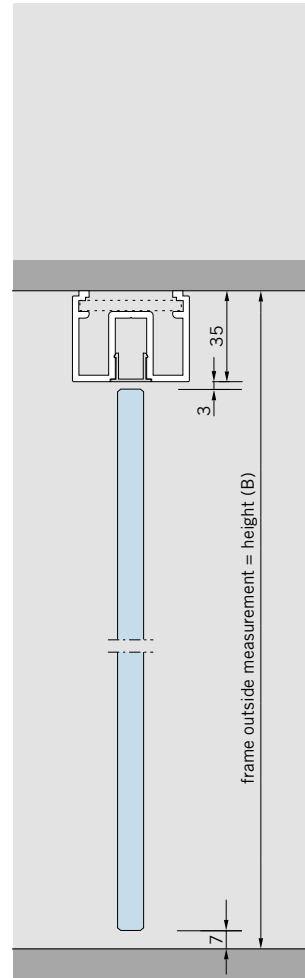
Fixed glazing



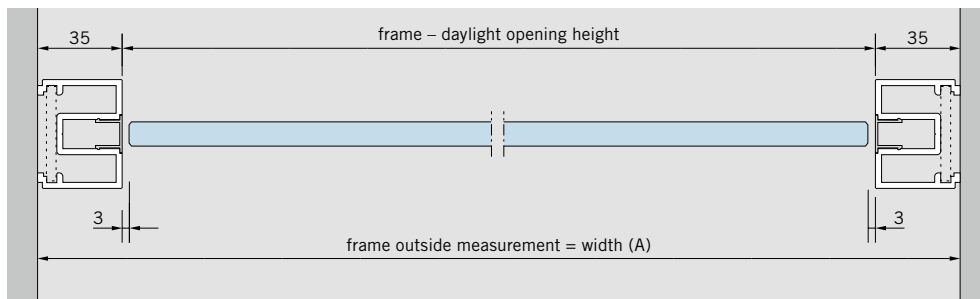
Door with overpanel



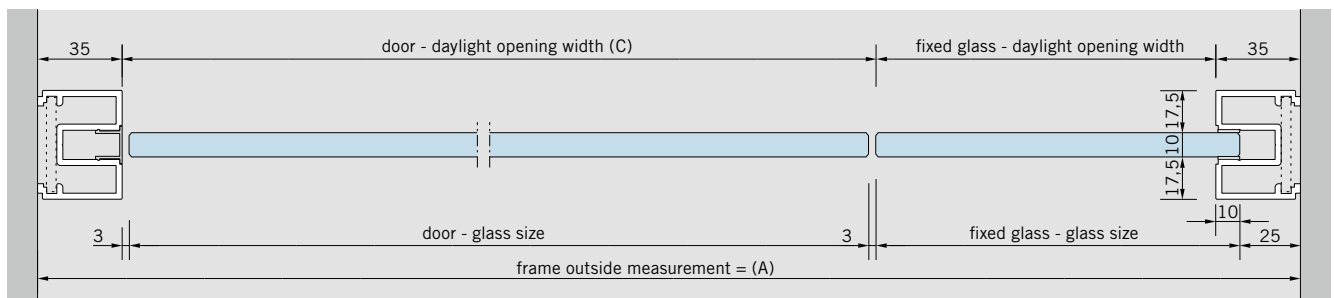
Door



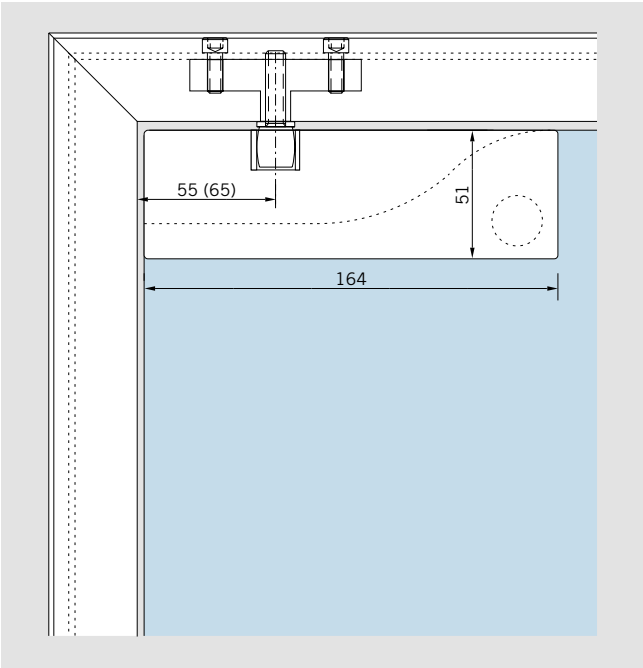
Plan / door



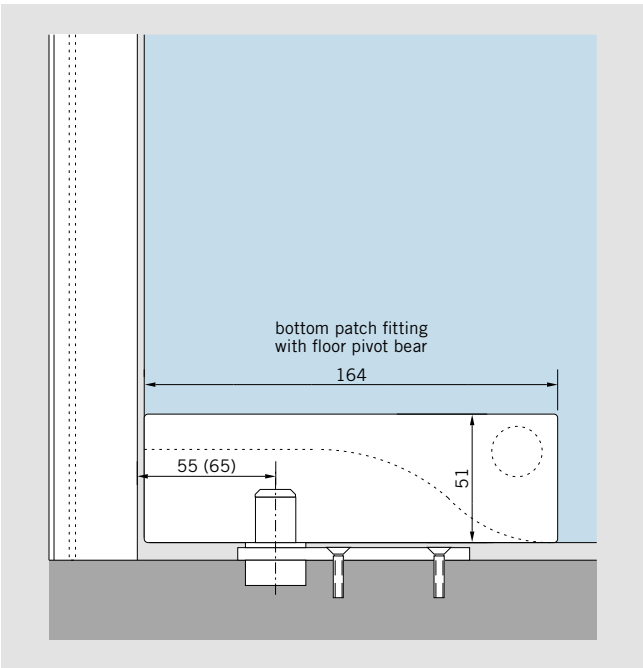
Plan / door with fixed glazing



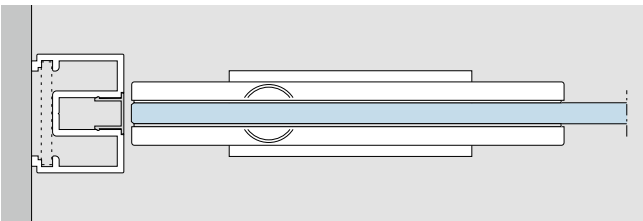
PATCH FITTINGS



View DORMA Universal top patch fitting
Glass preparation as per DORMA Universal



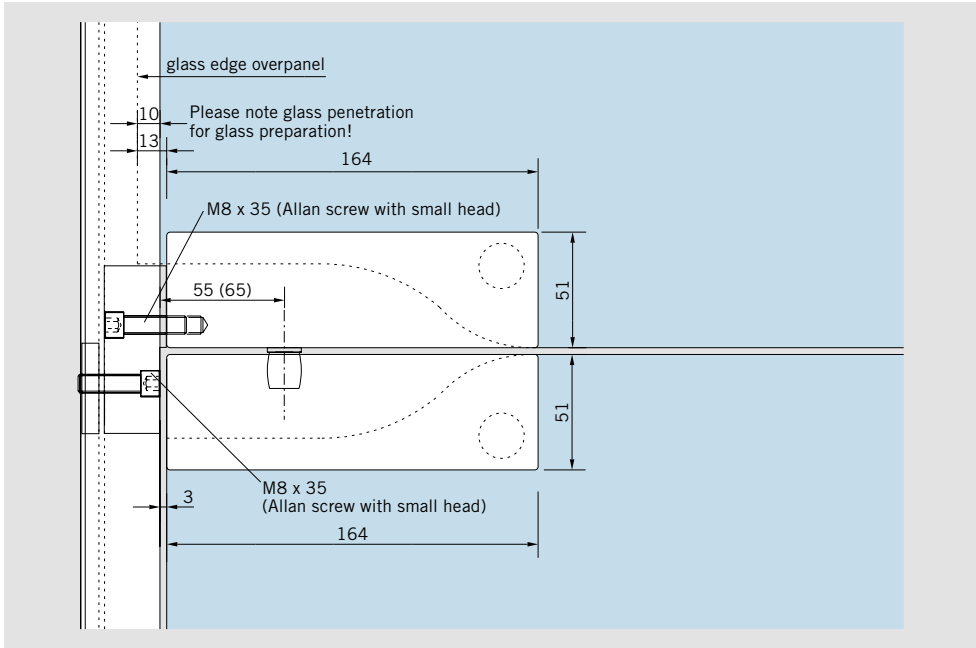
View DORMA Universal bottom patch fitting
Glass preparation as per DORMA Universal



Plan DORMA Universal patch fitting

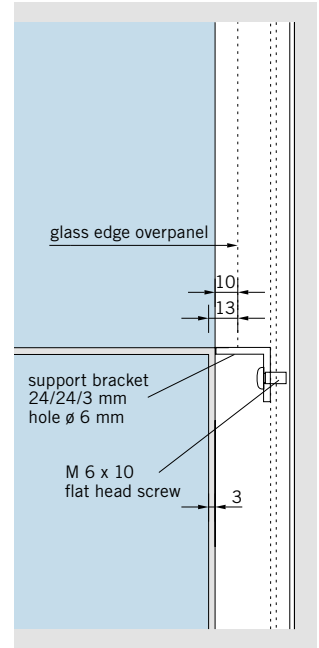
PATCH FITTINGS

View DORMA Universal patch fitting

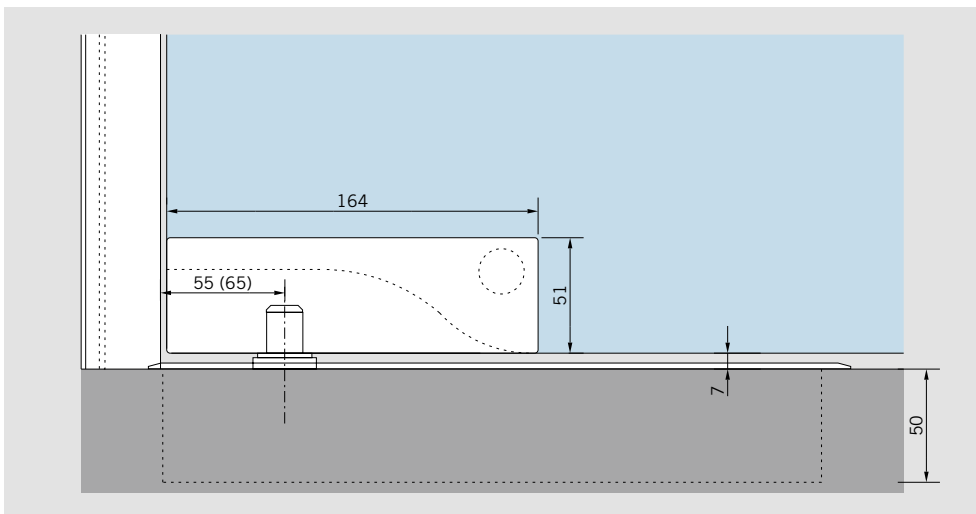


Glass preparation as per DORMA Universal

View overpanel support

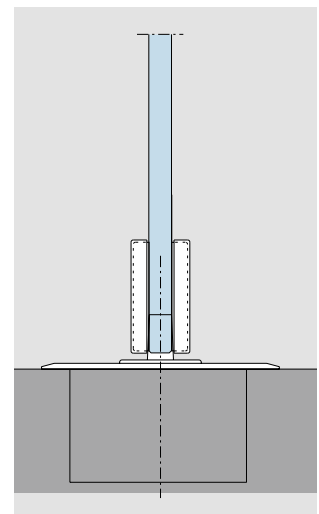


View DORMA Universal patch fitting, floor spring

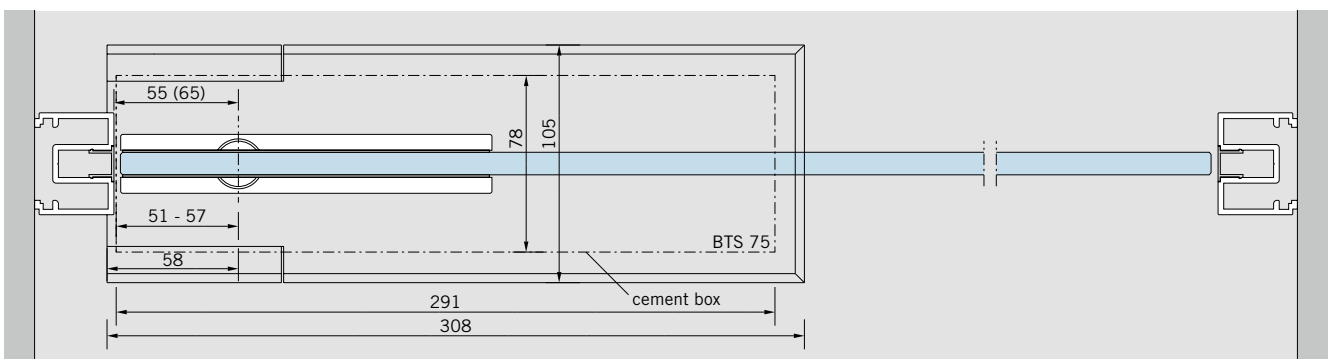


Glass preparation as per DORMA Universal

Sectional cut – floor spring



Plan, double acting door with DORMA BTS 75 V





ACCESSORIES

MR 22, MR 28 – Wall connecting frame system
32 – 35

ACCESSORIES

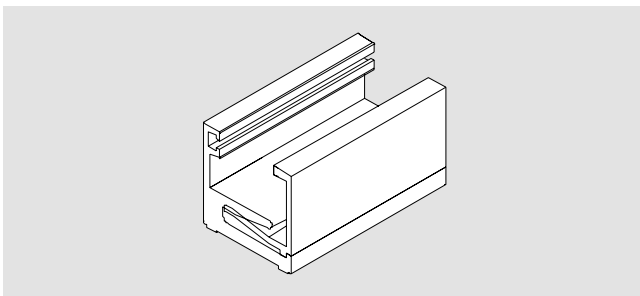
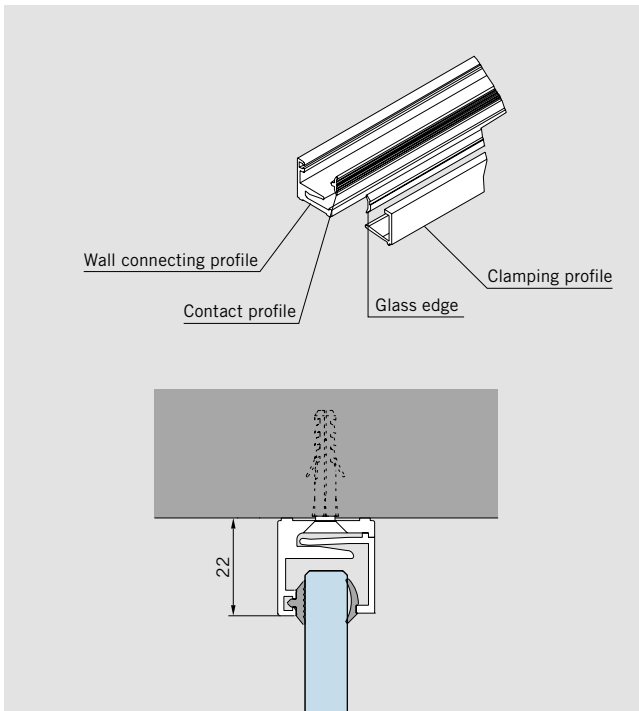
Comprising a frame profile (series-drilled), a clamping profile and two contact rubber extrusions (PVC, transparent). These decorative and elegant frame solutions are suitable for both indoor and outdoor applications and are characterised by their remarkably easy installation.

The viewface width is just 22 mm. In combination with AT 50 only suitable for glass thickness of 10 mm. No load transfer by the profiles. Can be readily removed and reinstalled else-where.

Applications

e.g. surrounding frame for toughened glass systems for fixing to walls and ceilings

Base profile

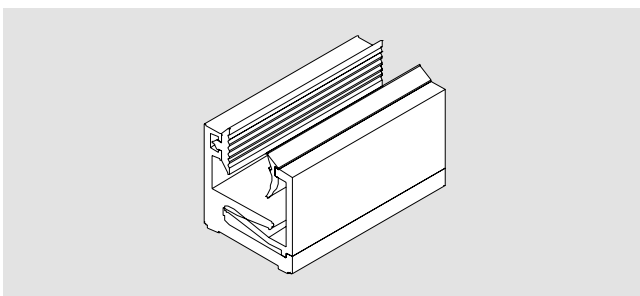


MR 22

in 6000 mm stock length,
without PVC profile

Weight in kg/m:
aluminium 0,802

Art. No. 07.240



MR 28

in fixed length

Weight in kg/m:
aluminium 0,802

Art. No. 07.250

ACCESSORIES

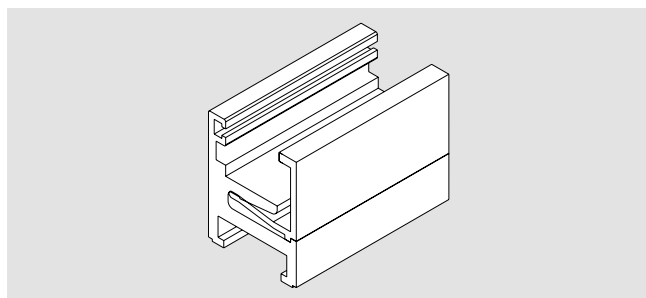
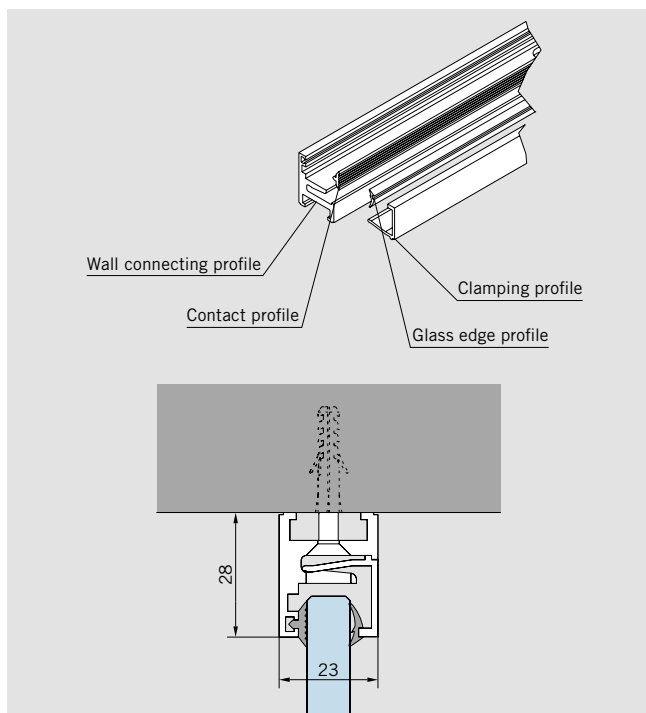
Comprising a frame profile (series-drilled), a clamping profile and two contact rubber extrusions (PVC, transparent). These decorative and elegant frame solutions are suitable for both indoor and outdoor applications and are characterised by their remarkably easy installation.

The viewface width is just 28 mm. In combination with AT 50 only suitable for glass thickness of 10 mm. No load transfer by the profiles. Can be readily removed and reinstalled else-where.

Applications

e.g. surrounding frame for toughened glass systems for fixing to walls and ceilings

Base profile

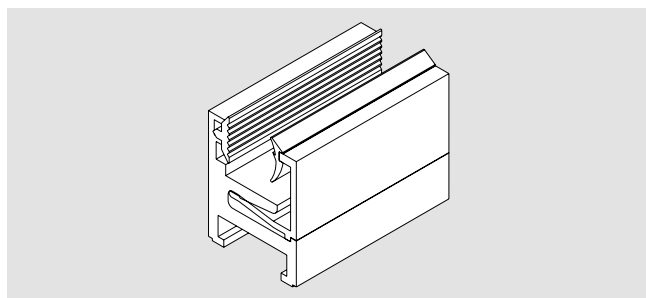


MR 28

in 6000 mm stock length, without PVC profile

Art. No. 07.241

Weight in kg/m:
aluminium 0,802



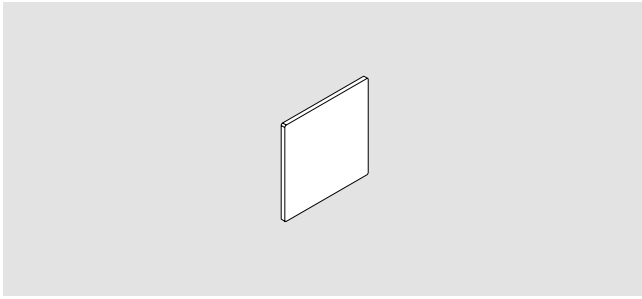
MR 28

in fixed length

Art. No. 07.251

Weight in kg/m:
aluminium 0,802

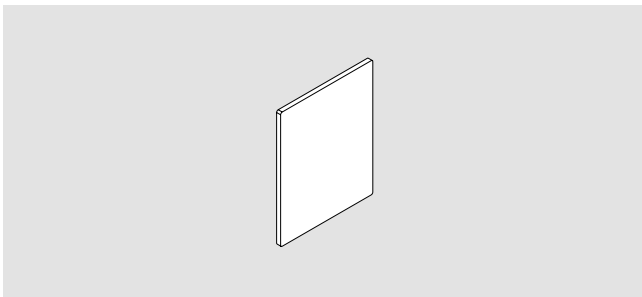
ACCESSORIES



End mounted plate MR 22

Art. No. 07.245

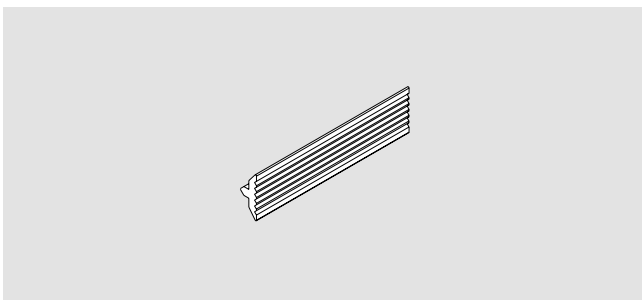
Weight in kg/pc:
aluminium 0,002



End mounted plate MR 28

Art. No. 07.246

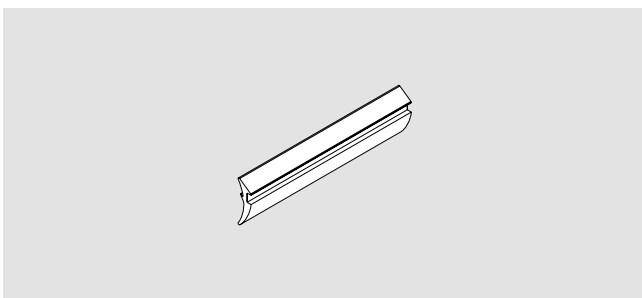
Weight in kg/pc:
aluminium 0,002



Contact profile

Art. No. 07.255

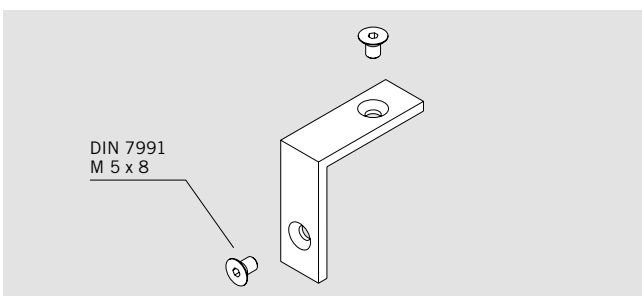
in 50 m stock length (roll)
Weight in kg/m:
PVC 0,023



Glass edge profile

Art. No. 07.253

2 mm,
for 10 mm glass thickness,
in 50 m stock length (roll)
Weight in kg/m:
PVC 0,016



Corner connection MR 28

Art. No. 07.247

Weight in kg/pc:
aluminium 0,0021

2 screws DIN 7991
M 5 x 8 are included in
delivery



DORMA Deutschland GmbH
DORMA Platz 1
58256 ENNEPETAL
GERMANY
Phone +49 2333 793-0
Fax +49 2333 793-4950
www.dorma.com

DORMA-Glas GmbH
Max-Planck-Straße 33-45
32107 BAD SALZUFLEN
GERMANY
Phone +49 5222 924-100
Fax +49 5222 924-3100
www.dorma.com